

# IWS 30S + DryDock™ 18 in stock

## SPECIFICATIONS

IWS-30-S-DD-18-S-BA



Natural Golden Bamboo

IWS-30-S-DD-18-S-GT



Graphite Wood Composite

IWS-30-S-DD-18-S-WH



Designer White Resin\*

IWS-30-S-DD-18-S-GR



Exclusive Gray Resin\*

## Specifications

Single bowl  
Users: 1  
Culinary Tools included: Five  
DryDock Tool included: One  
Galley BarTap® recommended: One  
Outside dimensions: 45 1/2" x 19 1/2" x 2 1/16"  
Countertop cutout: 44 1/2" x 18"  
Minimum cabinet size: 48" or 120cm  
**Minimum clearance required for DryDock below countertop: 2"**  
DryDock location: Drain side (S)

## Culinary Tools included (CKT-12)



(1) Upper Deck Section†  
12" x 19"  
UD-12-I-xx



(1) Upper Tier Drying Rack  
12 1/4" x 18"  
DR-12-U-xx



(1) Upper Tier Cutting Board  
12 1/4" x 18"  
CB-12-U-xx



(2) Lower Tier Platforms  
12 1/4" x 17"  
P1-12-L-xx



(1) Stainless Steel Colander  
11" 7.2-qt  
C1-11-0-ST



(1) Stainless Steel Mixing Bowl  
11" 7.2-qt  
B1-11-0-ST



(1) Dual Tier Drying Rack  
18" x 17"  
DR-18-D-xx

## DryDock Tool included (DR-18)

## Basin (KSO-30-S-DS-18-S-SS)

16GA 316L stainless steel indoor/outdoor  
SilentArmor™ sound reduction technology  
Angel finish  
Two tier design  
Star™ groove pattern  
Reversible side drain  
Drain cover included  
Limited Lifetime Warranty  
Made in the USA  
ASME A112.19.3/CSA B45.4 certified

### Personalize Your IWS-30-S-DD-18-S

Add 7-12" length | Apron front | Galley Tap collection  
Add 1-6" length | 9" height | Optional Culinary Tools  
Add 18" DryDock | Center drain | \*Color coded labels available  
Add 12" DryDock

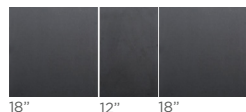
† The Upper Deck requires a 1/4" clearance below the surface of the countertop. If the countertop thickness is 2cm or less, Bamboo Upper Deck sections will not have the needed clearance to function above the Upper Tier Culinary Tools.

Please refer to Culinary Kit Finish descriptions for planning.

Custom options are available for countertops that are 1/2" or less in thickness.

## Upper Deck™

Upper Deck cover set **UD-30-18-3P-GT/BA/GR/WH** Graphite, Bamboo, Gray or White Resin



18" 12" 18"



(1) 12"

Included in CKT

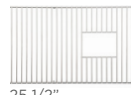
Upper Deck sections Graphite, Bamboo, Gray or White Resin



UD-18-I-GT/BA/GR/WH UD-12-I-GT/BA/GR/WH UD-09-I-GT/BA/GR/WH

## Recommended Basin Accessories

Bottom Grate set **BG-30-S-1-SS** Stainless Steel



25 1/2"

Manual Strainer Basket  
**M-DRN-MSS** Angel Finish 304 Stainless Steel



Disposal Flange Strainer Basket  
**G-DRN-MSS** Angel Finish 304 Stainless Steel



Auto Strainer Basket Angel Finish 304 Stainless Steel with Polished or Matte knob



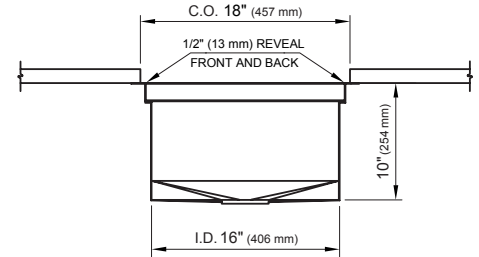
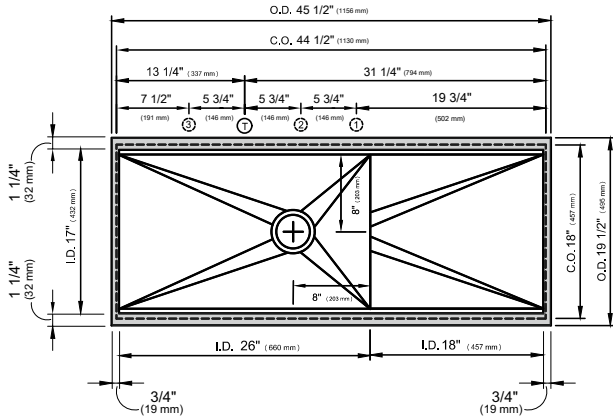
A-DRN-MSS shown

A-DRN-PSS  
A-DRN-MSS

# IWS 30S + DryDock™ 18 in stock

## SPECIFICATIONS

### Tap Hole Specifications



#### SUGGESTED GALLEY TAP AND TAP ACCESSORIES PLACEMENT GUIDE

(Recommendations are based on installing 3 or more Tap accessories. If installing a Galley Tap, Soap Dispenser, or Deck Switch only, use holes ①, ②, and ③.)  
Suggested maximum inside corner radius of countertop cutout 3/8"

① Galley Bar Tap 1 3/8" min hole diameter (1 1/2" min hole diameter for fast water jet cut)

② Galley Deck Switch 1 3/8" min hole diameter or Galley Automatic Strainer Basket knob 1" min and 1 3/8" max hole diameter

③ Galley Hot & Cold Tap 1 3/8" min hole diameter (1 1/2" min hole diameter for fast water jet cut) or Galley Air Gap 1 3/8" min hole diameter

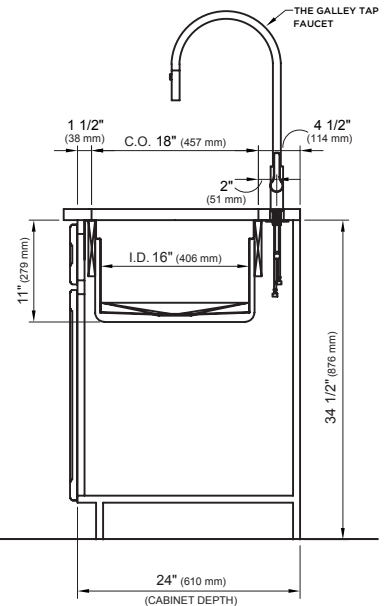
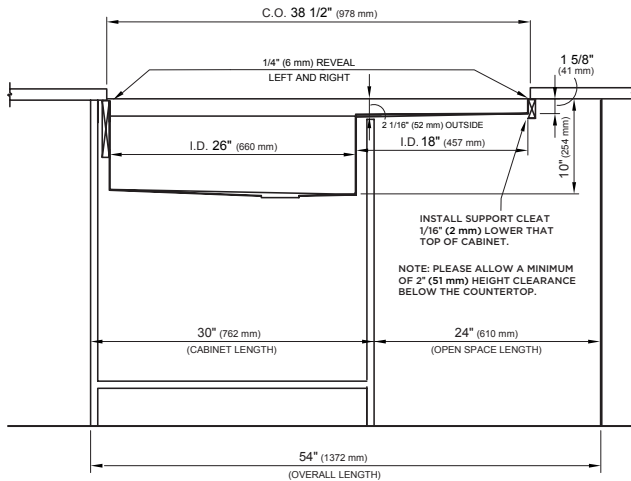
④ Galley Soap Dispenser 1" min to 1 3/8" max hole diameter

Center Tap hole diameters 2" behind cutout

**Note:** Galley Hot & Cold Tap requires a minimum 8" clearance to center if installed to the right of the Galley Bar Tap.

**Note:** For installation where the drain is on the left side, simply reverse placements of Tap and Tap Accessories

### Countertop Cutout Plan



STAINLESS STEEL COMPLIANCE ASME A112. 19.3-2008/CSA B45.4-08

WE RESERVE THE RIGHT TO MAKE REVISIONS WITHOUT NOTICE IN THE DESIGN OF PRODUCTS OR IN PACKAGING UNLESS THIS RIGHT HAS SPECIFICALLY BEEN WAIVED AT THE TIME THE ORDER IS ACCEPTED.

DWG and DXF templates available on our website:

[TheGalley.com/specifications](http://TheGalley.com/specifications)

Questions? For additional assistance, please contact  
The Galley's Customer Service Department at 800.375.4255