

# Ideal WashStation™ 4S

## SPECIFICATIONS

**IWA-4-S-BA**



Natural Golden Bamboo / Exclusive Gray Resin

**IWA-4-S-GT**



Graphite Wood Composite / Graphite Resin

**IWA-4-S-WH**



Designer White Resin\*

**IWA-4-S-GR**



Exclusive Gray Resin\*

## Specifications

Single bowl  
Users: 1  
Wash Tools included: Four  
Galley Tap recommended: One  
Outside dimensions: 45 1/2" x 19 1/2" x 10 5/16"  
Countertop cutout: 44 1/2" x 18"  
Basin area: 44" x 16"  
Minimum cabinet size: 48" or 120cm

## Basin (KSO-4-S-SS)

16GA 316L stainless steel indoor/outdoor  
SilentArmor™ sound reduction technology  
Angel finish  
Two tier design  
Star™ groove pattern  
Reversible side drain  
Drain cover included  
Limited Lifetime Warranty  
Made in the USA  
ASME A112.19.3/CSA B45.4 certified

## Wash Tools included (WKT-4T)



(1) Upper Tier  
Drying Rack  
9 1/4" x 18"  
DR-09-U-xx



(1) Lower Tier  
Wash Caddy  
6" x 17"  
WC-06-L-xx



(1) Lower Tier  
Wash Bowl  
12" x 17"  
WB-12-L-xx



(1) Upper Tier  
Utensil Caddy  
6" x 18"  
UC-06-U-xx

### Personalize Your IWA-4-S

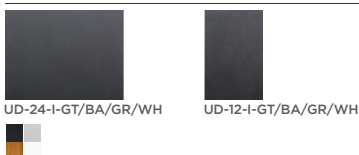
Add 7-12" length Apron front Galley Tap collection  
Add 1-6" length 9" height Optional Culinary Tools  
Add 18" DryDock Center drain \*Color coded labels available  
Add 12" DryDock

## Upper Deck™

Upper Deck cover set **UD-4-2P-GT/BA/GR/WH** Graphite, Bamboo, Gray or White Resin

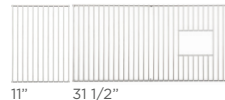


Upper Deck sections Graphite, Bamboo, Gray or White Resin



## Recommended Basin Accessories

Bottom Grate set **BG-4-S-2-SS** Stainless Steel



Manual Strainer Basket  
**M-DRN-MSS** Angel Finish 304 Stainless Steel



Disposal Flange Strainer Basket  
**G-DRN-MSS** Angel Finish 304 Stainless Steel



Auto Strainer Basket Angel Finish 304 Stainless Steel with Polished or Matte knob

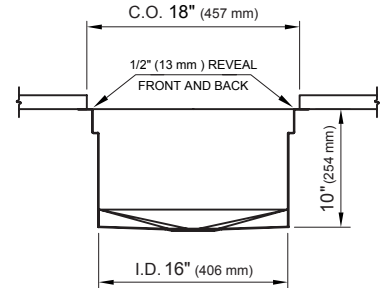
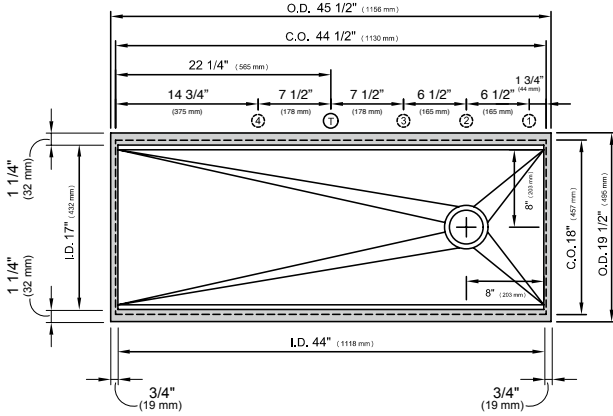


**A-DRN-PSS**  
**A-DRN-MSS**

# Ideal WashStation™ 4S

## SPECIFICATIONS

### Tap Hole Specifications



#### SUGGESTED GALLEY TAP AND TAP ACCESSORIES PLACEMENT GUIDE

(Recommendations are based on installing 3 or more Tap accessories. If installing a Galley Tap, Soap Dispenser, or Deck Switch only, use holes ①, ②, and ③.)

Suggested maximum inside corner radius of countertop cutout 3/8"

① Galley Tap 1 3/8" min hole diameter (1 1/2" min hole diameter for fast water jet cut)

② Galley Deck Switch 1 3/8" min hole diameter or Galley Automatic Strainer Basket knob 1" min and 1 3/8" max hole diameter

③ Galley Hot & Cold Tap 1 3/8" min hole diameter (1 1/2" min hole diameter for fast water jet cut) or Galley Air Gap 1 3/8" min hole diameter

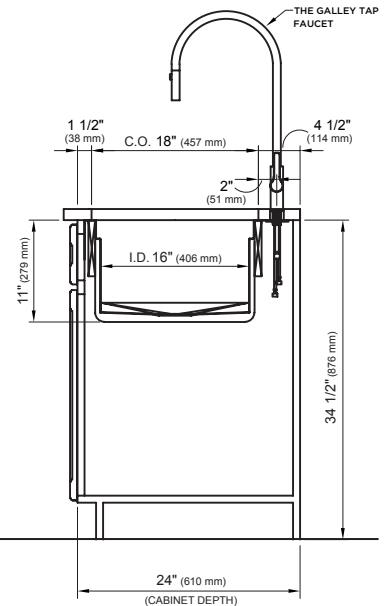
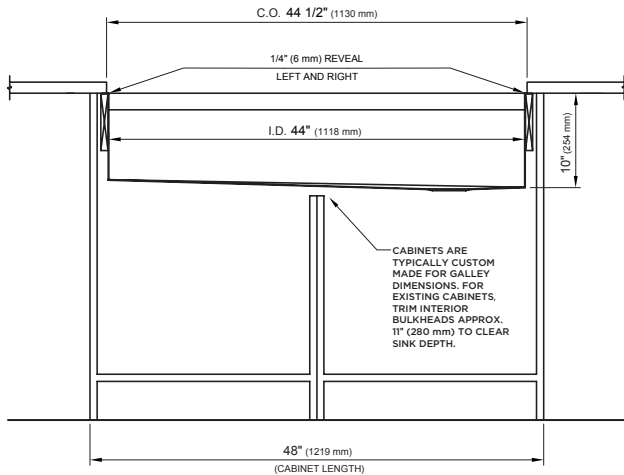
④ Galley Soap Dispenser 1" min to 1 3/8" max hole diameter

Center Tap hole diameters 2" behind cutout

**Note:** Galley Hot & Cold Tap requires a minimum 8" clearance to center if installed to the right of the Galley Tap

**Note:** For installation where the drain is on the left side, simply reverse placements of Tap and Tap Accessories

### Countertop Cutout Plan



STAINLESS STEEL COMPLIANCE ASME A112. 19.3-2008/CSA B45.4-08

WE RESERVE THE RIGHT TO MAKE REVISIONS WITHOUT NOTICE IN THE DESIGN OF PRODUCTS OR IN PACKAGING UNLESS THIS RIGHT HAS SPECIFICALLY BEEN WAIVED AT THE TIME THE ORDER IS ACCEPTED.

DWG and DXF templates available on our website:

[TheGalley.com/specifications](http://TheGalley.com/specifications)

Questions? For additional assistance, please contact  
The Galley's Customer Service Department at 800.375.4255