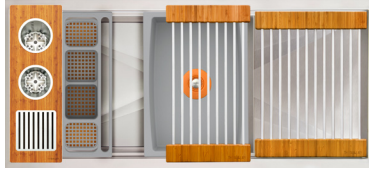


IWA 30S + DryDock™ 12 in stock



SPECIFICATIONS

IWA-30-S-DD-12-S-BA



Natural Golden Bamboo

IWA-30-S-DD-12-S-GT



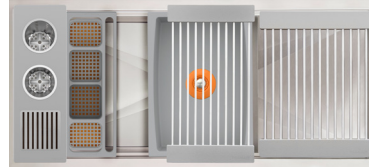
Graphite Wood Composite

IWA-30-S-DD-12-S-WH



Designer White Resin*

IWA-30-S-DD-12-S-GR



Exclusive Gray Resin*

Specifications

- Single bowl
- Users: 1
- Wash Tools included: Four
- DryDock Tool included: One
- Galley BarTap® recommended: One
- Outside dimensions: 39 1/2" x 19 1/2" x 2 1/16"
- Countertop cutout: 38 1/2" x 18"
- Minimum cabinet size: 42" or 107cm
- Minimum clearance required for DryDock below countertop: 2"**
- DryDock location: Drain side (S)

Wash Tools included (WKT-4T)



(1) Upper Tier Drying Rack
9 1/4" x 18"
DR-09-U-xx



(1) Lower Tier Wash Caddy
6" x 17"
WC-06-L-xx



(1) Lower Tier Wash Bowl
12" x 17"
WB-12-L-xx



(1) Upper Tier Utensil Caddy
6" x 18"
UC-06-U-xx

DryDock Tool included (DR-12)



(1) Lower Tier Drying Rack
12 1/4" x 17"
DR-12-L-xx

Basin (KSO-30-S-DS-12-S-SS)

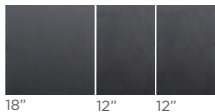
- 16GA 316L stainless steel indoor/outdoor
- SilentArmor™ sound reduction technology
- Angel finish
- Two tier design
- Star™ groove pattern
- Reversible side drain
- Drain cover included
- Limited Lifetime Warranty
- Made in the USA
- ASME A112.19.3/CSA B45.4 certified

Personalize Your IWA-30-S-DD-12-S

- Add 7-12" length Apron front
- Add 1-6" length 9" height
- Add 18" DryDock Center drain
- Add 12" DryDock
- Galley Tap collection
- Optional Culinary Tools
- *Color coded labels available

Upper Deck™

Upper Deck cover set UD-30-12-3P-GT/BA/GR/WH Graphite, Bamboo, Gray or White Resin



Upper Deck sections Graphite, Bamboo, Gray or White Resin



UD-18-I-GT/BA/GR/WH UD-12-I-GT/BA/GR/WH UD-09-I-GT/BA/GR/WH



Recommended Basin Accessories

Bottom Grate set BG-30-S-1-SS Stainless Steel



25 1/2"

Manual Strainer Basket

M-DRN-MSS Angel Finish 304 Stainless Steel



Disposal Flange Strainer Basket

G-DRN-MSS Angel Finish 304 Stainless Steel



Auto Strainer Basket

Angel Finish 304 Stainless Steel with Polished or Matte knob



A-DRN-MSS shown

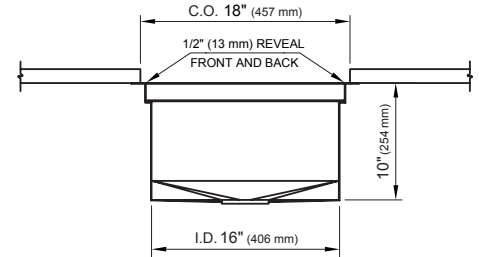
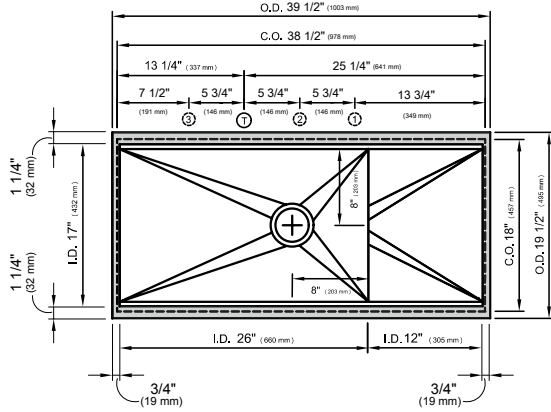
A-DRN-PSS
A-DRN-MSS

IWA 30S + DryDock™ 12 in stock

SPECIFICATIONS



Tap Hole Specifications



SUGGESTED GALLEY TAP AND TAP ACCESSORIES PLACEMENT GUIDE

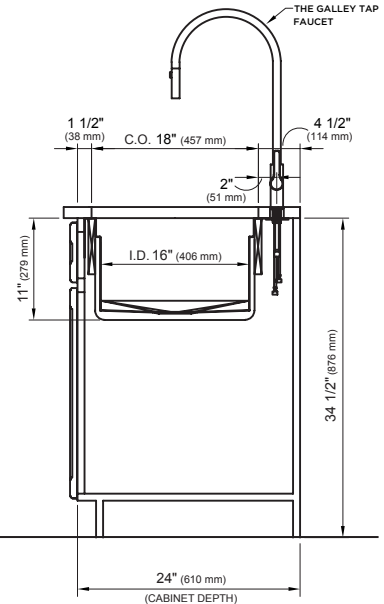
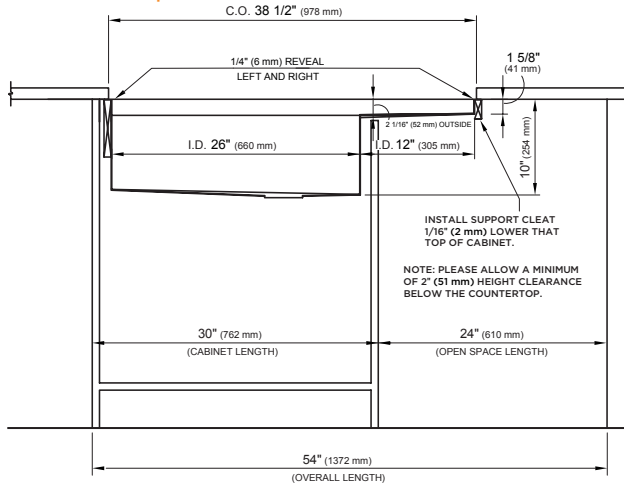
(Recommendations are based on installing 3 or more Tap accessories. If installing a Galley Tap, Soap Dispenser, or Deck Switch only, use holes ①, ②, and ③.)
Suggested maximum inside corner radius of countertop cutout 3/8"

- ① Galley Bar Tap 1 3/8" min hole diameter (1 1/2" min hole diameter for fast water jet cut)
- ② Galley Deck Switch 1 3/8" min hole diameter or Galley Automatic Strainer Basket knob 1" min and 1 3/8" max hole diameter
- ③ Galley Hot & Cold Tap 1 3/8" min hole diameter (1 1/2" min hole diameter for fast water jet cut) or Galley Air Gap 1 3/8" min hole diameter
- ④ Galley Soap Dispenser 1" min to 1 3/8" max hole diameter

Center Tap hole diameters 2" behind cutout

Note: Galley Hot & Cold Tap requires a minimum 8" clearance to center if installed to the right of the Galley Bar Tap.
Note: For installation where the drain is on the left side, simply reverse placements of Tap and Tap Accessories

Countertop Cutout Plan



STAINLESS STEEL COMPLIANCE ASME A112. 19.3-2008/CSA B45.4-08

WE RESERVE THE RIGHT TO MAKE REVISIONS WITHOUT NOTICE IN THE DESIGN OF PRODUCTS OR IN PACKAGING UNLESS THIS RIGHT HAS SPECIFICALLY BEEN WAIVED AT THE TIME THE ORDER IS ACCEPTED.

DWG and DXF templates available on our website:
TheGalley.com/specifications

Questions? For additional assistance, please contact
The Galley's Customer Service Department at 800.375.4255