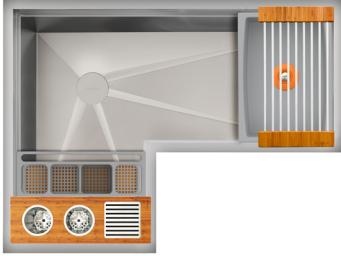


Ideal WashStation™ 3X4C

SPECIFICATIONS

IWA-3X4-C-BA



Golden Bamboo / Gray Resin

IWA-3X4-C-GT



Graphite Wood / Graphite Resin

IWA-3X4-C-GR



Exclusive Gray Resin*

IWA-3X4-C-WH



Designer White Resin*

Specifications

Single bowl
Users: 2 (Outside Corner), 1 (Inside Corner)
Wash Tools included: Four
Galley Tap recommended: One
Outside dimensions: 32" x 44" x 19 1/2" x 10 5/16"
Countertop cutout: 30 3/4" x 42 3/4" x 18"
Basin area: 30" x 42" x 16"
Min. cabinet size: 36" x 48" or 90cm x 120cm

Wash Tools included (WKT-4T)



(1) Upper Tier
Drying Rack
9 1/4" x 18"
DR-09-U-xx



(1) Lower Tier
Wash Caddy
6" x 17"
WC-06-L-xx



(1) Lower Tier
Wash Bowl
12" x 17"
WB-12-L-xx



(1) Upper Tier
Utensil Caddy
6" x 18"
UC-06-U-xx

Basin (KSO-3X4-C-SS)

16GA 316L stainless steel indoor/outdoor
SilentArmor™ sound reduction technology
Angel finish
Two tier design
Star™ groove pattern
Side drain
Drain cover included
Limited Lifetime Warranty
Made in the USA
ASME A112.19.3/CSA B45.4 certified

Personalize Your IWA-3X4-C

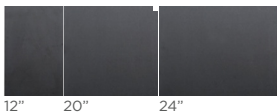
Add 7-12" length
Add 1-6" length
Add 18" DryDock

Add 12" DryDock
9" height

Galley Tap collection
Optional Culinary Tools
*Color coded labels available

Upper Deck™

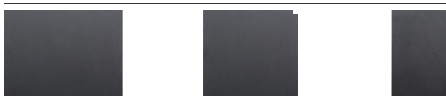
Upper Deck cover set **UD-4X3-3P-GT/BA/GR/WH** Graphite, Bamboo, Gray or White Resin



12" 20" 24"



Upper Deck sections Graphite, Bamboo, Gray or White Resin



UD-24-I-GT/BA/GR/WH

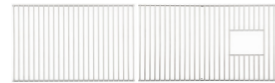
UD-20-C-I-GT/BA/GR/WH

UD-12-I-GT/BA/GR/WH



Recommended Basin Accessories

Bottom Grate set **BG-4X3-C-2-SS** Stainless Steel



25 1/2" 29"

Manual Strainer Basket
M-DRN-MSS Angel Finish 304 Stainless Steel



Disposal Flange Strainer Basket
G-DRN-MSS Angel Finish 304 Stainless Steel



Auto Strainer Basket Angel Finish 304 Stainless Steel with Polished or Matte knob



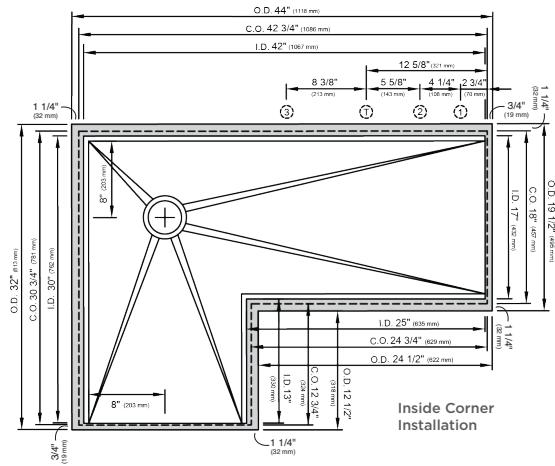
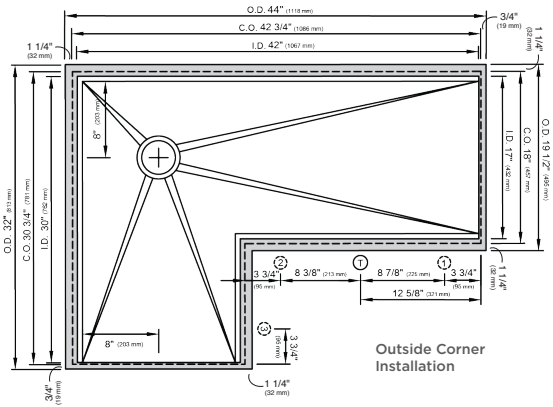
A-DRN-PSS
A-DRN-MSS

A-DRN-MSS shown

Ideal WashStation™ 3X4C

SPECIFICATIONS

Tap Hole Specifications



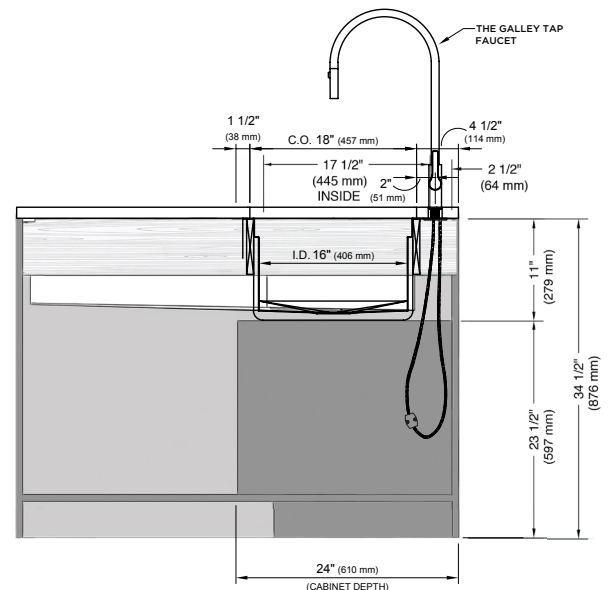
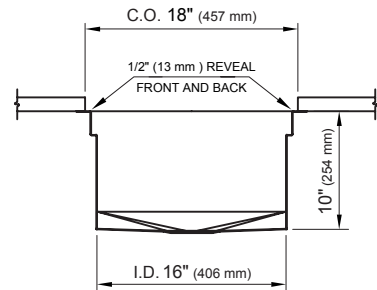
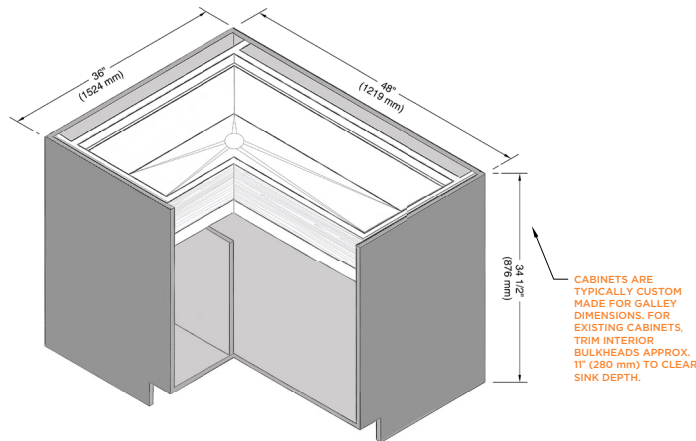
OUTSIDE CORNER INSTALLATION SUGGESTED GALLEY TAP AND TAP ACCESSORIES PLACEMENT GUIDE

- (Recommendations are based on installing 3 or more Tap accessories)*
Suggested maximum inside corner radius of countertop cutout 3/8"
- ① Galley Tap 1 3/8" min hole diameter (1 1/2" min hole diameter for fast water jet cut)
 - ② Galley Soap Dispenser 1" min to 1 3/8" max hole diameter
 - ③ Galley Deck Switch 1 3/8" min hole diameter or Galley Automatic Strainer Basket knob 1" min and 1 3/8" max hole diameter
 - ④ Galley Hot & Cold Tap 1 3/8" min hole diameter (1 1/2" min hole diameter for fast water jet cut)
- Center Tap hole diameters 2" behind cutout
Note: Galley Hot & Cold Tap requires a minimum 8" clearance to center if installed to the right of the Galley Tap
Note: For inner corner dimensions (O.D., C.O., I.D.) on Outside Corners, look to Inside Corner drawings

INSIDE CORNER INSTALLATION SUGGESTED GALLEY TAP AND TAP ACCESSORIES PLACEMENT GUIDE

- (Recommendations are based on installing 3 or more Tap accessories)*
Suggested maximum inside corner radius of countertop cutout 3/8"
- ① Galley Tap 1 3/8" min hole diameter (1 1/2" min hole diameter for fast water jet cut)
 - ② Galley Deck Switch 1 3/8" min hole diameter or Galley Automatic Strainer Basket knob 1" min and 1 3/8" max hole diameter
 - ③ Galley Soap Dispenser 1" min to 1 3/8" max hole diameter
 - ④ Galley Hot & Cold Tap 1 3/8" min hole diameter (1 1/2" min hole diameter for fast water jet cut)
- Center Tap hole diameters 2" behind cutout
Note: Galley Hot & Cold Tap requires a minimum 8" clearance to center if installed to the right of the Galley Tap

Countertop Cutout Plan



STAINLESS STEEL COMPLIANCE ASME A112. 19.3-2008/CSA B45.4-08

WE RESERVE THE RIGHT TO MAKE REVISIONS WITHOUT NOTICE IN THE DESIGN OF PRODUCTS OR IN PACKAGING UNLESS THIS RIGHT HAS SPECIFICALLY BEEN WAIVED AT THE TIME THE ORDER IS ACCEPTED.

DWG and DXF templates available on our website:
TheGalley.com/specifications

Questions? For additional assistance, please contact
The Galley's Customer Service Department at 800.375.4255