

# DryDock™ 18

Add to any Workstation. Over 138 possibilities.

## DD-18-S



## Specifications

DryDock Tool included: One  
 Outside dimensions: 18" x 19 1/2" x 2 1/16"  
 Countertop cutout: Add 18" to IWS width  
 Minimum cabinet size: Add 18" to IWS width  
 Minimum clearance required below countertop: 2"  
 Location: Drain side (S) and/or non-drain side (N)  
 and/or center drain (C)

## DryDock Tool included (DR-18)



(1) Dual Tier  
Drying Rack  
18" x 17"  
DR-18-D-BA



(1) Dual Tier  
Drying Rack  
18" x 17"  
DR-18-D-GT



(1) Dual Tier  
Drying Rack  
18" x 17"  
DR-18-D-WH

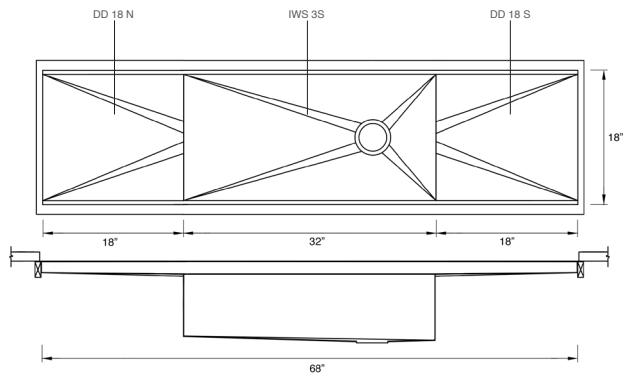
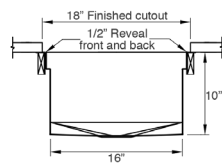


(1) Dual Tier  
Drying Rack  
18" x 17"  
DR-18-D-GR

## Basin (DS-18)

16GA 316L stainless steel indoor/outdoor  
 SilentArmor™ sound reduction technology  
 Angel finish  
 Two tier design  
 Star™ groove pattern  
 Limited Lifetime Warranty  
 Made in the USA  
 ASME A112.19.3/CSA B45.4 certified

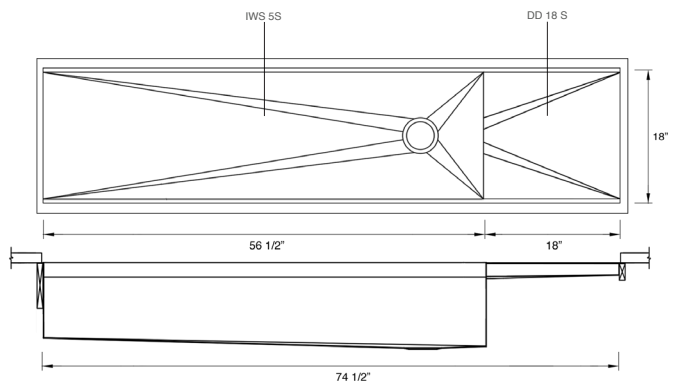
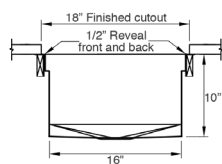
### EXAMPLE 1



Suggested maximum inside corner radius of countertop cutout 3/8"

IWS-3-S-DD-18-N-DD-18-S-xx

### EXAMPLE 2



Suggested maximum inside corner radius of countertop cutout 3/8"

IWS-5-S-DD-18-S-xx