

DryDock™ 12

Add to any Workstation. Over 138 possibilities.

DD-12-S



Specifications

DryDock Tool included: One
 Outside dimensions: 12" x 19 1/2" x 2 1/16"
 Countertop cutout: Add 12" to IWS width
 Minimum cabinet size: Add 12" to IWS width
 Minimum clearance required below countertop: 2"
 Location: Drain side (S) and/or non-drain side (N)
 and/or center drain (C)

DryDock Tool included (DR-12)



(1) Lower Tier
Drying Rack
12 1/4" x 17"
DR-12-L-BA



(1) Lower Tier
Drying Rack
12 1/4" x 17"
DR-12-L-GT



(1) Lower Tier
Drying Rack
12 1/4" x 17"
DR-12-L-WH

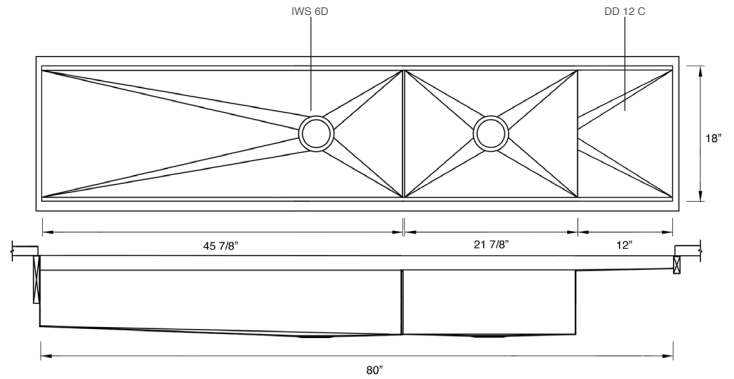
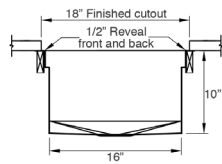


(1) Lower Tier
Drying Rack
12 1/4" x 17"
DR-12-L-GR

Basin (DS-12)

16GA 316L stainless steel indoor/outdoor
 SilentArmor™ sound reduction technology
 Angel finish
 Two tier design
 Star™ groove pattern
 Limited Lifetime Warranty
 Made in the USA
 ASME A112.19.3/CSA B45.4 certified

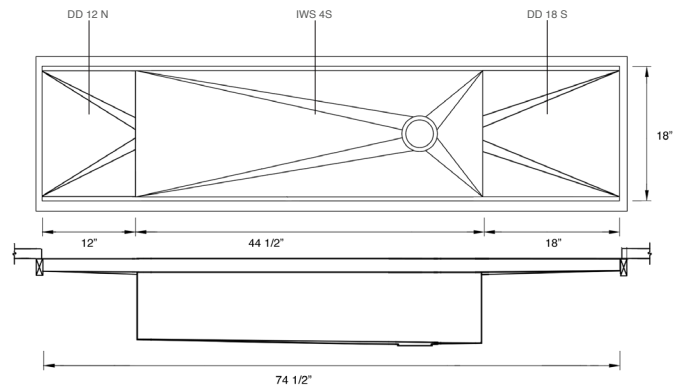
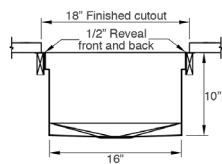
EXAMPLE 3



Suggested maximum inside corner radius of countertop cutout 3/8"

IWW-6-D-DD-12-C-xx

EXAMPLE 4



Suggested maximum inside corner radius of countertop cutout 3/8"

IWS-4-S-DD-12-N-DD-18-S-xx