

# Ideal Workstation® 4D

IWS 4D BA



Natural Golden Bamboo

IWS 4D GT



Graphite Wood Composite

IWS 4D WH



Designer White Resin

IWS 4D GR



Exclusive Gray Resin

## Specifications

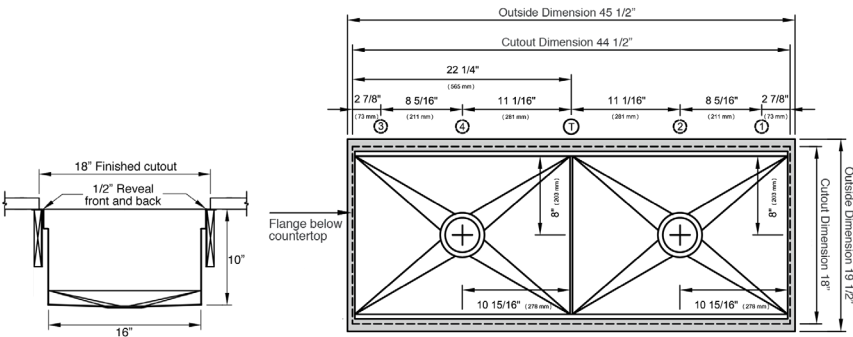
Double bowl  
 User: 1  
 Culinary Tools included: Four (6 pcs)  
 Galley Tap recommended: Two  
 Outside dimensions: 45 1/2" x 19 1/2" x 10 5/16"  
 Counter top cutout: 44 1/2" x 18"  
 Basin area: 21 7/8", 21 7/8" x 16"  
 Minimum cabinet size: 48" or 120cm

## Culinary Tools included

- (1) Upper Tier Cutting Board 12 1/4" x 18"
- (1) Upper Tier Drying Rack 12 1/4" x 18"
- (1) 11" Colander
- (1) 11" Mixing Bowl with lid
- (2) Lower Tier Platform for Colander, Mixing Bowl 12 1/4" x 17"

## Basin construction

16GA 316L stainless steel indoor/outdoor  
 Angel finish  
 Two tier design  
 Star™ groove pattern  
 Reversible center/side drain  
 Drain cover included  
 Limited Lifetime Warranty  
 Made in the USA  
 ASME A112.19.3/CSA B45.4 certified



Suggested maximum inside corner radius of counter top cutout 3/8"  
 Center Tap hole diameters 2" behind cutout  
 T. Galley Tap 1 3/8" min hole diameter (1 1/2" min hole diameter for fast water jet cut)  
 1. Galley Deck Switch 1 3/8" min hole diameter or Galley Automatic Strainer Basket knob 1" min and 1 3/8" max hole diameter  
 2. Galley Soap Dispenser 1" min to 1 3/8" max hole diameter  
 3. Galley Deck Switch 1 3/8" min hole diameter or Galley Automatic Strainer Basket knob 1" min and 1 3/8" max hole diameter  
 4. Galley Hot and Cold Water Dispenser 1 3/8" min hole diameter (1 1/2" min hole diameter for fast water jet cut)  
 \*Galley Hot and Cold Water dispenser requires a minimum 8" clearance to center if installed to the right of the Galley Tap

## Upper Deck™ (Optional)

Upper Deck set UD 4 2P GT/BA/WH/GR Graphite, Bamboo, White or Gray Resin



24" 24"

Upper Deck sections Graphite, Bamboo, White or Gray Resin



UD24GT/BA/WH/GR

UD18GT/BA/WH/GR

UD12GT/BA/WH/GR

UD09GT/BA/WH/GR

## Recommended Workstation Accessories

Bottom Grate set BG 4 D 2 SS Stainless Steel



21 3/8"

21 7/8"

Manual Strainer Basket  
 MDRNMSS Angel Finish Stainless Steel



Disposal Flange Strainer Basket  
 GDRNMSS Angel Finish Stainless Steel



Auto Strainer Basket Angel Finish Stainless Steel with Polished or Matte knob



ADRNPSS  
 ADRNMSS

A DRN MSS shown