

Ideal Workstation[®] 2C

IWS 2C BA



Natural Golden Bamboo

IWS 2C GT



Graphite Wood Composite

IWS 2C WH



Designer White Resin

IWS 2C GR



Exclusive Gray Resin

Specifications

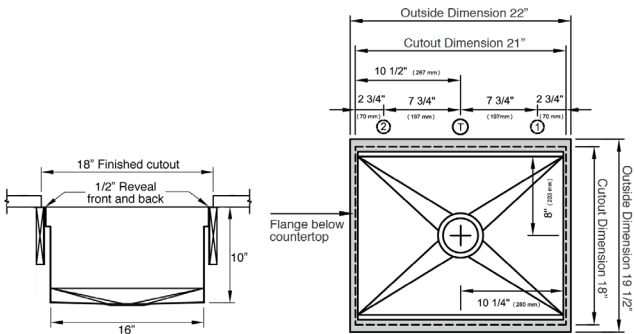
Single bowl
Users: 1
Culinary Tools included: Four (5 pcs)
Galley Tap recommended: One
Outside dimensions: 22" x 19 1/2" x 10 5/16"
Counter top cutout: 21" x 18"
Basin area: 20 1/2" x 16"
Minimum cabinet size: 24" or 60cm

Culinary Tools included

- (1) Upper Tier Cutting Board 12 1/4" x 18"
- (1) Upper Tier Drying Rack 12 1/4" x 18"
- (1) 11" Colander
- (1) 11" Mixing Bowl with lid
- (1) Lower Tier Platform for Colander, Mixing Bowl 12 1/4" x 17"

Basin construction

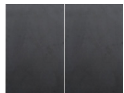
16GA 316L stainless steel indoor/outdoor
Angel finish
Two tier design
Star[™] groove pattern
Center drain
Drain cover included
Limited Lifetime Warranty
Made in the USA
ASME A112.19.3/CSA B45.4 certified



Suggested maximum inside corner radius of counter top cutout 3/8"
Center Tap hole diameters 2" behind cutout
T. Galley Tap 1 3/8" min hole diameter (1 1/2" min hole diameter for fast water jet cut)
1. Galley Deck Switch 1 3/8" min hole diameter or Galley Soap Dispenser 1" min to 1 3/8" max hole diameter
2. Galley Hot and Cold Water Dispenser* 1 3/8" min hole diameter (1 1/2" min hole diameter for fast water jet cut) or Galley Deck Switch or Galley Soap Dispenser
*Galley Hot and Cold Water dispenser requires a minimum 8" clearance to center if installed to the right of the Galley Tap

Upper[™] Deck (Optional)

Upper Deck set **UD 2 2P GT/BA/WH/GR** Graphite, Bamboo, White or Gray Resin



12" 12"

Upper Deck sections Graphite, Bamboo, White or Gray Resin



UD24IGT/BA/WH/GR

UD18IGT/BA/WH/GR

UD12IGT/BA/WH/GR

UD09IGT/BA/WH/GR

Recommended Workstation Accessories

Bottom Grate set **BG 2 C 1 SS** Stainless Steel



20"

Manual Strainer Basket

MDRNMSS Angel Finish Stainless Steel



Disposal Flange Strainer Basket

GDRNMSS Angel Finish Stainless Steel



Auto Strainer Basket Angel Finish Stainless Steel with Polished or Matte knob



ADRNPSS
ADRNMSS