

DryDock™ 12

Add to any size model. Over 130 possibilities.

DD 12 S BA



Natural Golden Bamboo

DD 12 S GT



Graphite Wood Composite

DD 12 S WH



Designer White Resin*

DD 12 S GR



Exclusive Gray Resin*

Specifications

Culinary Tools included: Two
 Outside dimensions: 12" x 19 1/2" x 2 1/16"
 Counter top cutout: Add 12" to model width
 Minimum cabinet size: Add 12" to model width
 Minimum clearance required below counter top: 2"
 Location: Drain side (S) and/or non-drain side (N)
 and/or center drain (C)

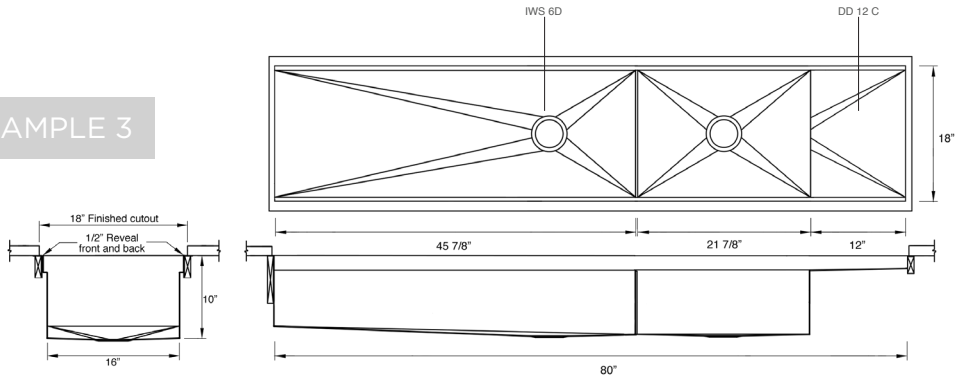
Culinary Tools included

- (1) Lower Tier Drying Rack 12 1/4" x 17"
- (1) 12" Upper Deck in Graphite Wood Composite

Basin construction

16GA 316L stainless steel indoor/outdoor
 Angel finish
 Two tier design
 Star™ groove pattern
 Reversible center/side drain
 Limited Lifetime Warranty
 Made in the USA
 ASME A112.19.3/CSA B45.4 certified

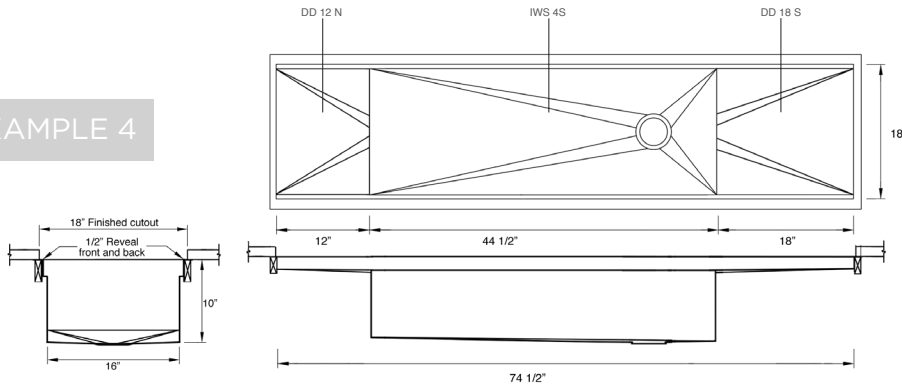
EXAMPLE 3



Suggested maximum inside corner radius of counter top cutout 3/8"

IWS-6-D-DD-12-C-xx

EXAMPLE 4



Suggested maximum inside corner radius of counter top cutout 3/8"

IWS-4-S-DD-12-N-DD-18-S-xx