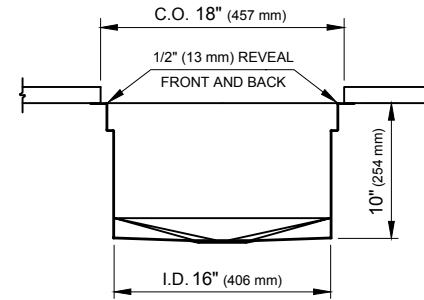
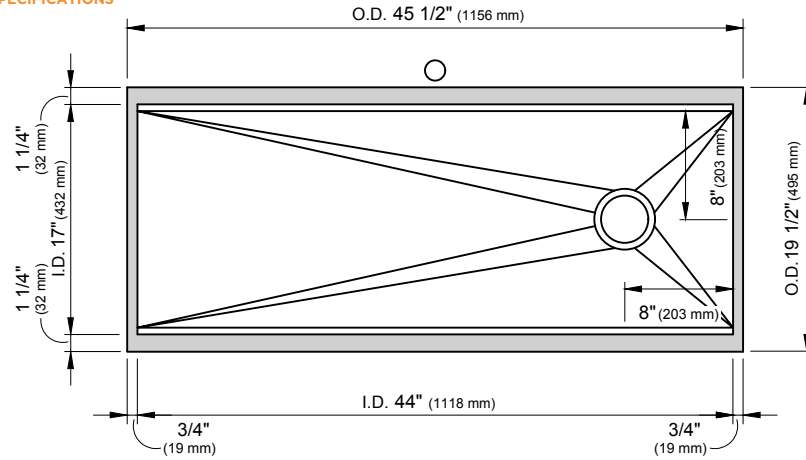
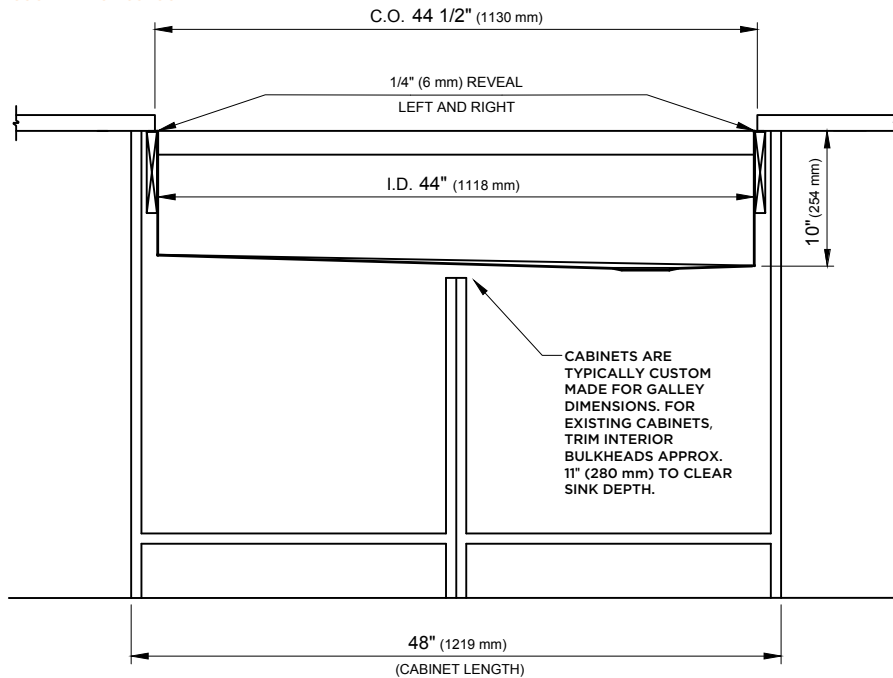


IDEAL WASHSTATION™ 4 - SINGLE BOWL (IWA 4S)
SPECIFICATIONS & COUNTER TOP CUTOUT

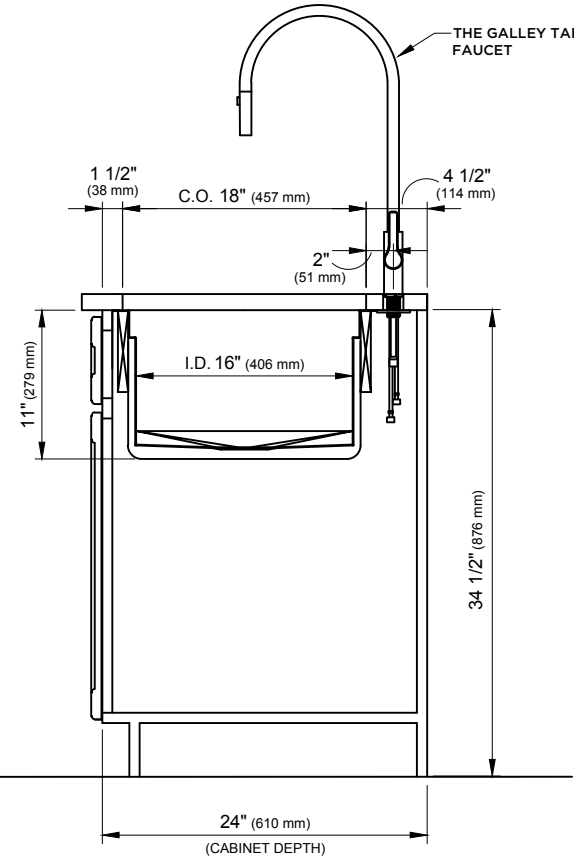
SPECIFICATIONS



COUNTER TOP CUTOUT PLAN



CABINETS ARE TYPICALLY CUSTOM MADE FOR GALLEY DIMENSIONS. FOR EXISTING CABINETS, TRIM INTERIOR BULKHEADS APPROX. 1" (280 mm) TO CLEAR SINK DEPTH.



THE GALLEY TAP FAUCET

STAINLESS STEEL COMPLIANCE ASME A112. 19.3-2008/CSA B45.4-08

WE RESERVE THE RIGHT TO MAKE REVISIONS WITHOUT NOTICE IN THE DESIGN OF PRODUCTS OR IN PACKAGING UNLESS THIS RIGHT HAS SPECIFICALLY BEEN WAIVED AT THE TIME THE ORDER IS ACCEPTED.

DWG and DXF templates available on our website:
TheGalley.com/specifications

Questions? For additional assistance, please contact
 The Galley's Customer Service Department at 800.375.4255