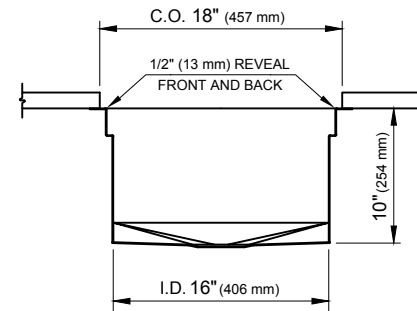
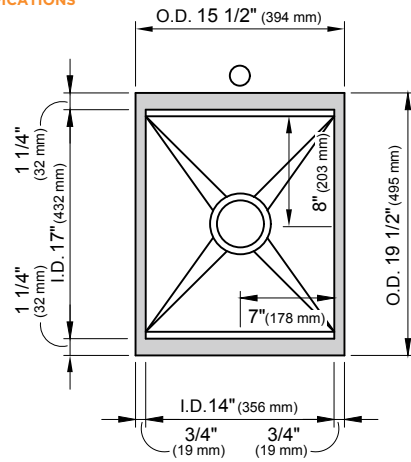
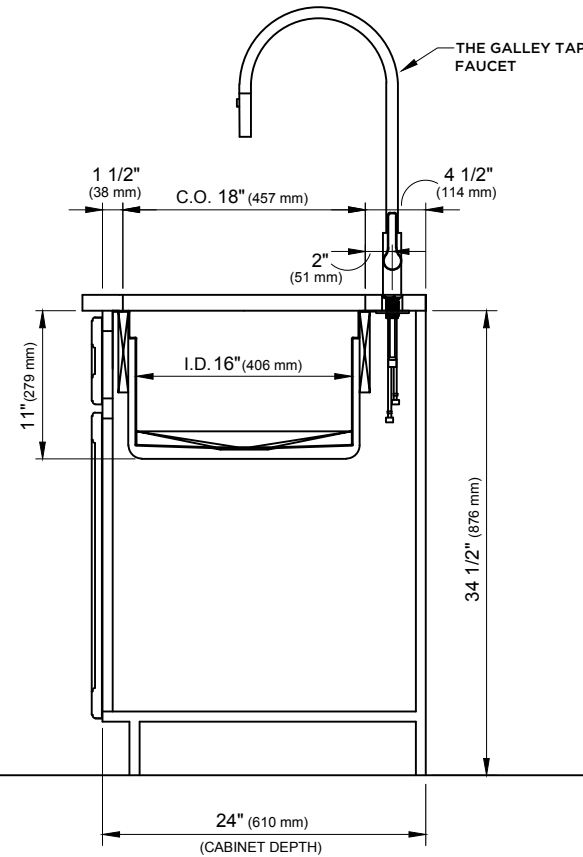
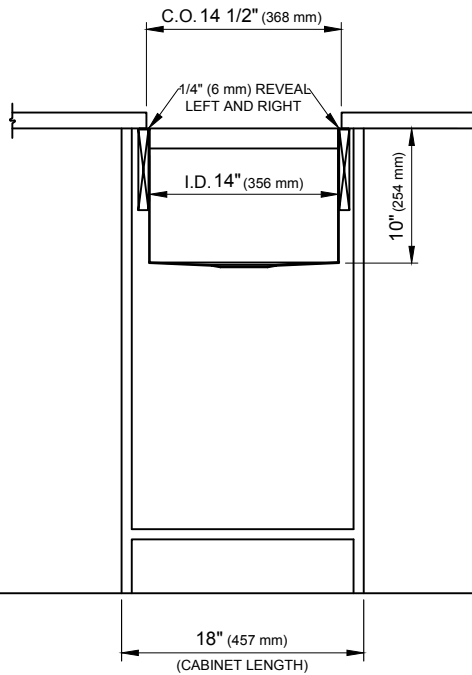


**IDEAL BARSTATION.18 (IBS 18)**  
**SPECIFICATIONS & COUNTER TOP CUTOUT**

**SPECIFICATIONS**



**COUNTER TOP CUTOUT PLAN**



STAINLESS STEEL COMPLIANCE ASME A112. 19.3-2008/CSA B45.4-08

WE RESERVE THE RIGHT TO MAKE REVISIONS WITHOUT NOTICE IN THE DESIGN OF PRODUCTS OR IN PACKAGING UNLESS THIS RIGHT HAS SPECIFICALLY BEEN WAIVED AT THE TIME THE ORDER IS ACCEPTED.

DWG and DXF templates available on our website:  
[TheGalley.com/specifications](http://TheGalley.com/specifications)

Questions? For additional assistance, please contact  
 The Galley's Customer Service Department at 800.375.4255