

GALLEY TAP[®]



Installation Guide
High Flow Galley Tap
IWT-D-HF

Before You Begin Installation

Inspect The Galley Tap for any damage prior to installation. Please refer to all local plumbing and building codes prior to installation.

INSTALLATION WARNING: NEVER USE TEFLON (PLUMBERS) TAPE ON ANY THREADED GALLEY TAP CONNECTIONS. USE PROVIDED CONTENTS ONLY. NOT COMPLYING WITH THIS INSTRUCTION COULD DAMAGE THE PRODUCT AND GENERATE LEAKAGE.

1. Turn off the water supply/supplies.
2. Inspect water supplies for signs of damage. Replace if necessary.
3. Ensure that the hot and cold supply hoses can fully reach the water supply stops.
4. DO NOT use petroleum-based products on this faucet.

Tools



PHILLIPS SCREWDRIVER

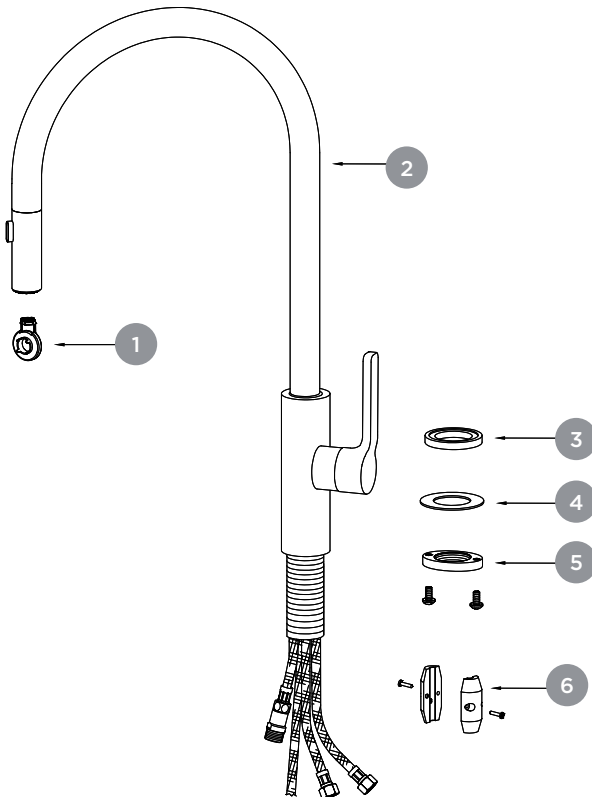


ADJUSTABLE WRENCH



ADJUSTABLE PLIERS

Package Contents



Remove all contents from the package and identify before installation.

- 1 - Aerator Key
- 2 - Galley Tap
- 3 - Optional Base Ring
- 4 - Stainless Steel Mounting Washer
- 5 - Stainless Steel Mounting Nut with Two Crosshead Screws
- 6 - Counterweight

Note: All Hoses come pre-installed into Tap and are water tested at the factory.

TECHNICAL INFORMATION

Optimal Pressure Range: 60PSI ≤ 75PSI
Maximum Flow Rate: 2.2GPM / 8.3 L / min
Maximum Temperature: 150° F

Product is Certified to NSF/ ANSI 372 and conforms with the lead content requirements for "lead free" plumbing as defined by California, Vermont, Maryland, and Louisiana state laws and the U.S. Safe Drinking Water Act. This faucet complies with ASME 112.18.1-2018/CSA B125.1-2018 requirements.

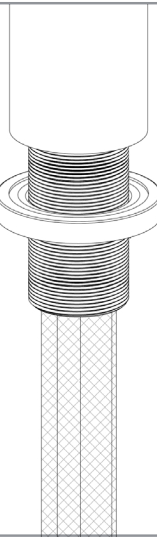


Installation

Step 1

The Galley Tap comes with an Optional Base Ring. The Tap can be installed with or without it.

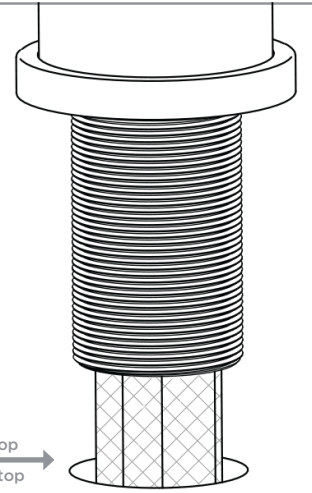
Optional Base Ring
Mounting Shank



Step 2

Insert the hoses and Mounting Shank through the 1-3/8" minimum to 1-1/2" maximum hole in countertop.

Ø 1-3/8" min hole in countertop
Ø 1-1/2" max hole in countertop



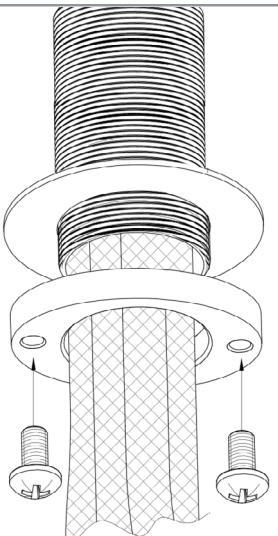
Note: Counter top max thickness 1 9/16"

Step 3

On the underside of the countertop, install the Washer and Mounting Nut by slipping them over the hoses and threading the nut onto the Mounting Shank. Tighten the Mounting Nut against the countertop and tighten the two screws so the Tap is secure.

Stainless Steel Washer
Stainless Steel Mounting Nut
Stainless Steel Crosshead Screws

Note: Before proceeding, ensure that the Galley logo is facing forward and that the Tap handle is positioned on the right side of the faucet.

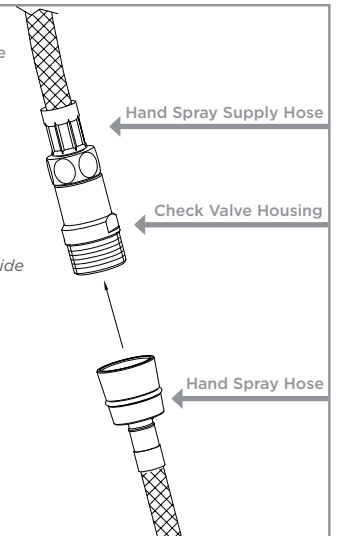


Step 4

Connect the Hand Spray Hose to the Hand Spray Supply Hose in which the Check Valve housing is fitted.

Warning: Gently tighten but do not over-tighten. After turning on supply valves, check for leaks and re-tighten if needed.

Note: Before Step 5, remove the adhesive backing on each of the Rubber Strips. Then, apply to the inside of each half of the Counterweight.



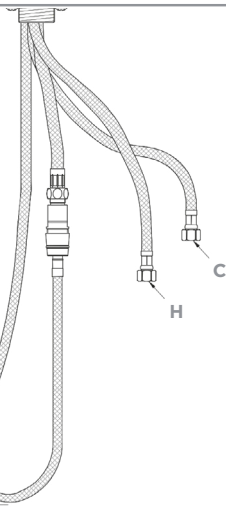
Step 5

Install the Counterweight onto the Hand Spray Hose.

Note: The Counterweight must be installed 1" above the bottom of the loop in order to ensure proper hose retraction when using the hand spray.

Note: Make sure the Hand Spray Hose and Counterweight are free to extend or retract and are not in conflict with any plumbing components or items under the Workstation.

Hand Spray Hose
VERY IMPORTANT! 1"



Step 6

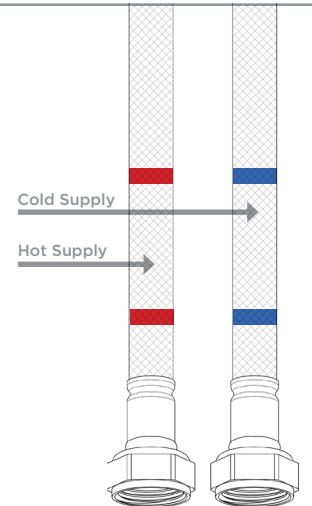
Before connecting the hot and cold Supply Hoses, place a container underneath the stops and carefully turn on the water. Run water for 5 to 10 seconds to clear any debris from the line.

If installing Galley Water Filtration System, proceed to Step 1 in the installation guide located in the Filtration package.

Carefully position hot and cold supplies so they will not interfere with other hoses.

Connect the 3/8" Compression Connections (Hot and Cold Supply Hoses) to your hot and cold inlets.

Check to ensure there are no leaks in any of the connections. If there are, tighten and verify there are no further leaks.

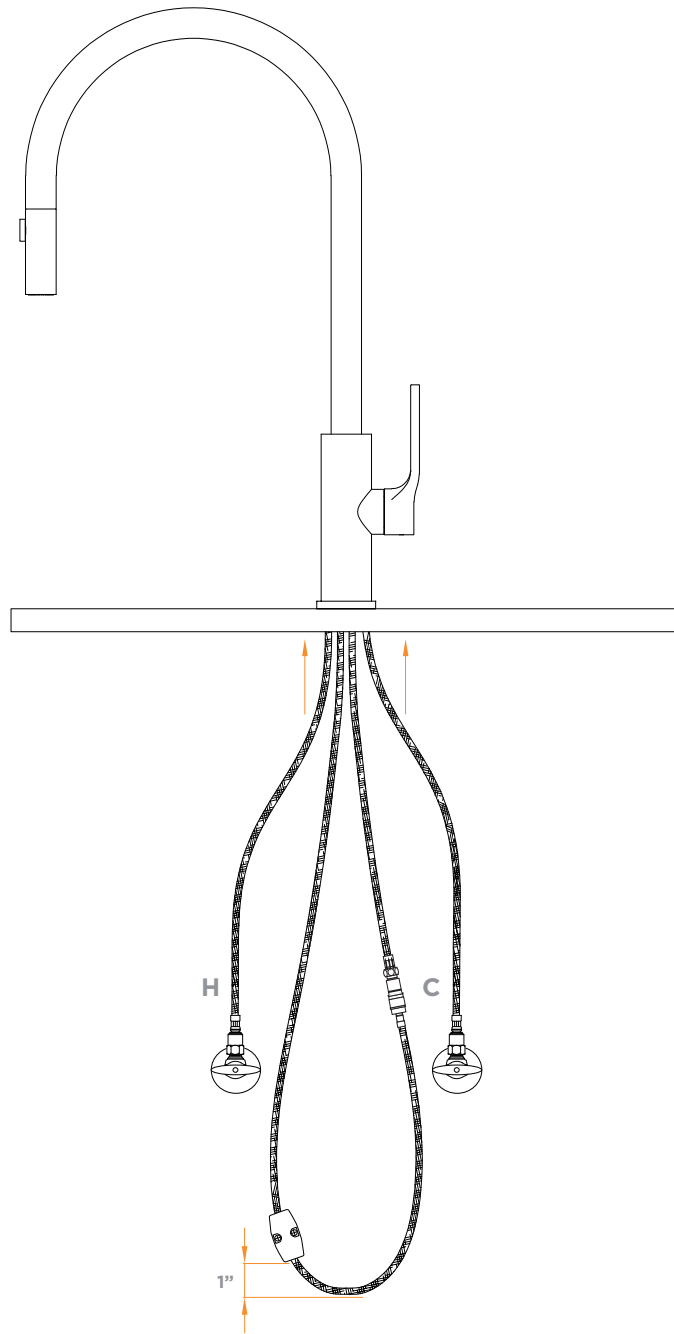


Installation Diagrams

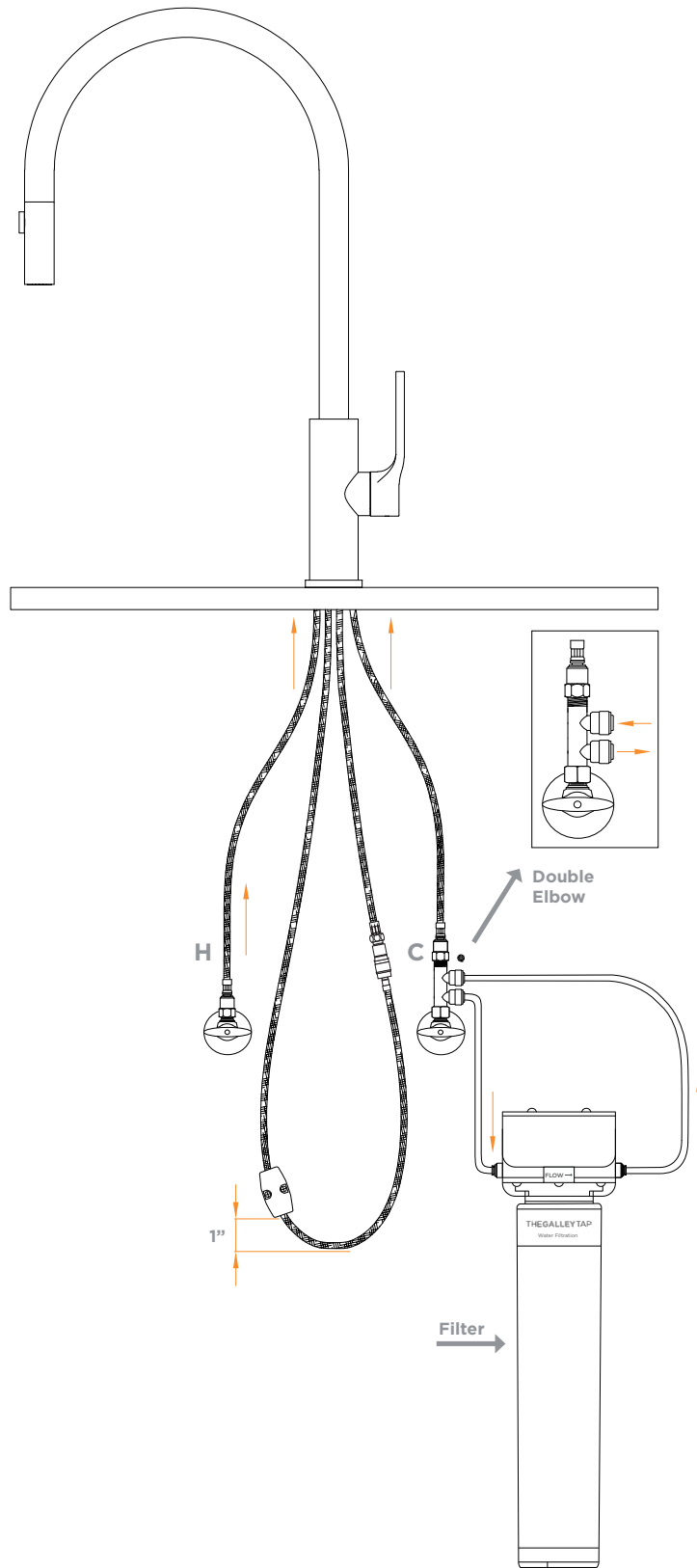
The Galley Tap	4
The Galley Tap + Water Filtration System	5
The Galley Taps (2) + Water Filtration Systems (1) - Single Source	6
The Galley Tap + Water Filtration System + Hot & Cold Tap - Single Source	7
The Galley Taps (2) + Water Filtration Systems (2) + Hot & Cold Tap - Single Source	8

***Additional Parts Needed for Multiple Taps from Single Source**

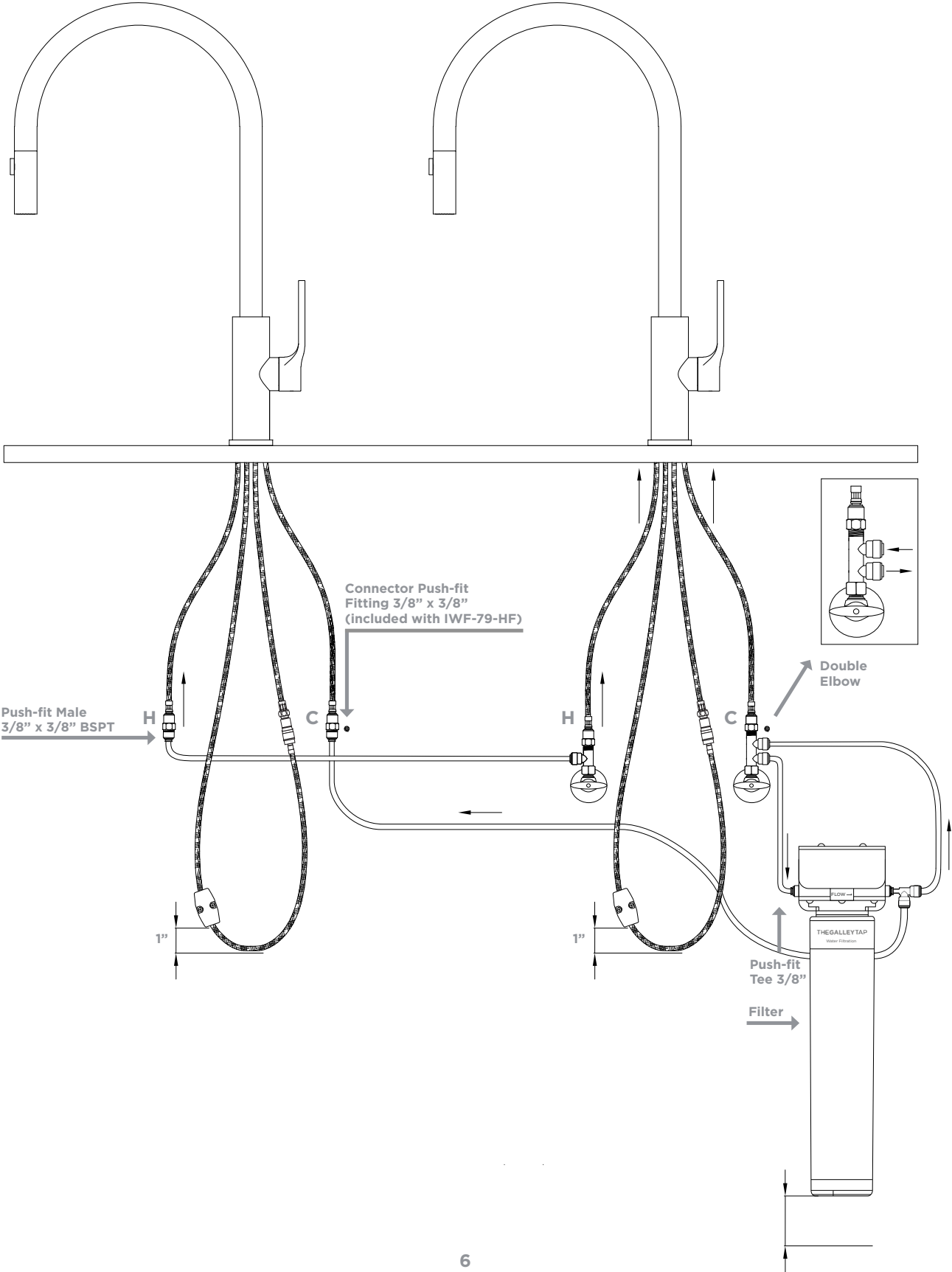
The Galley Tap



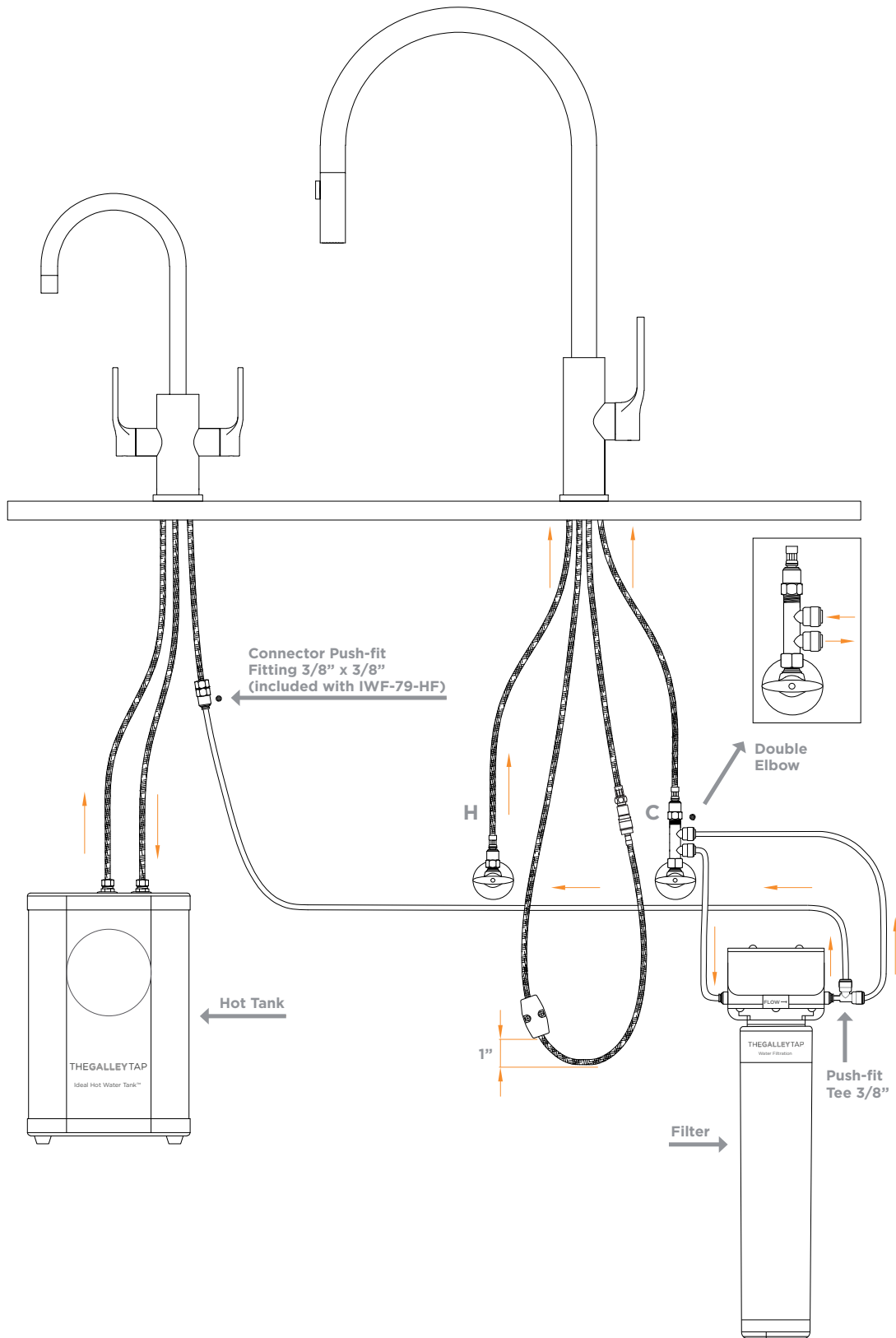
Connecting The Galley Tap + Water Filtration System



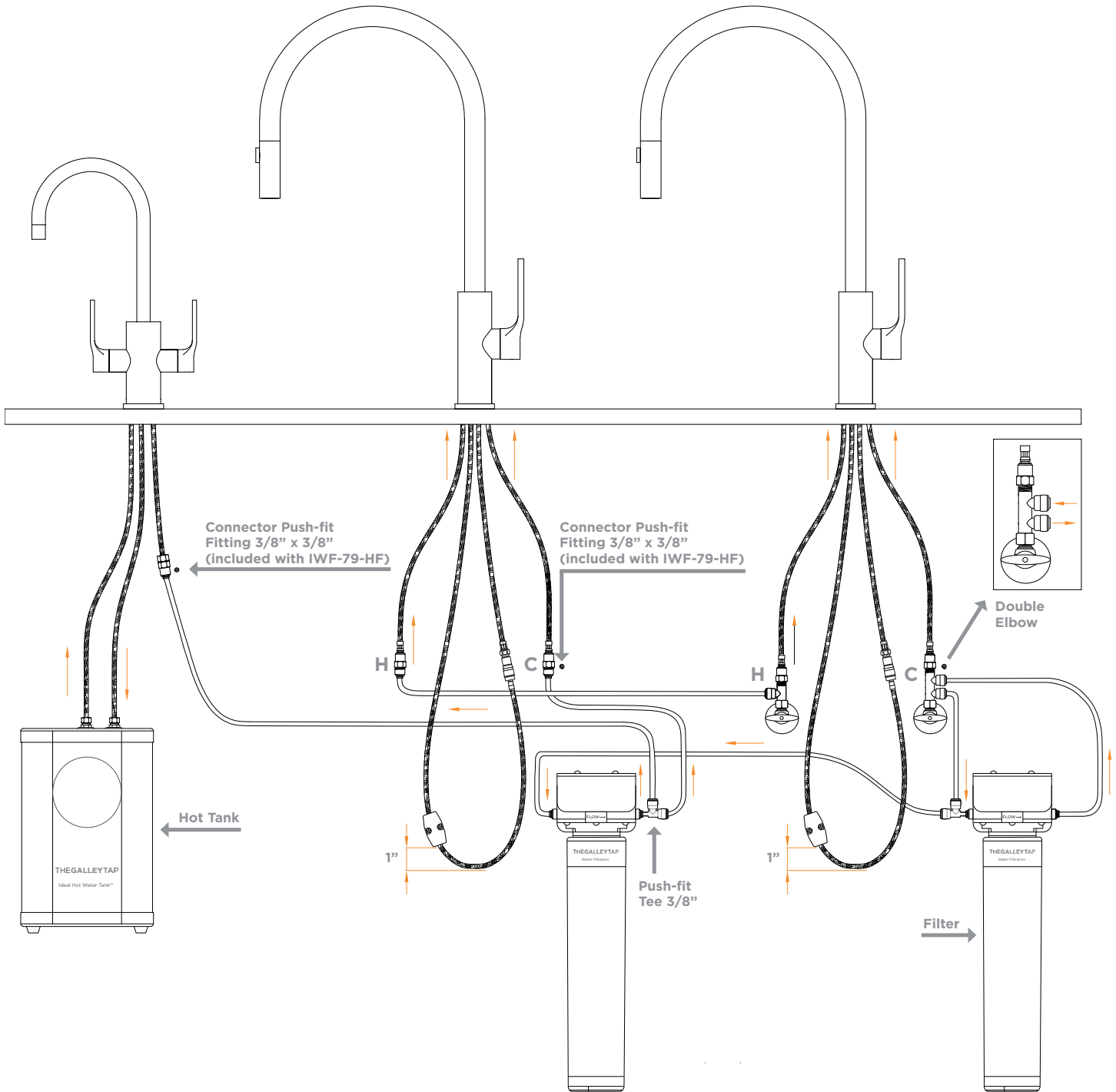
Connecting (2) Galley Taps + (1) Water Filtration System Single Source



Connecting (1) Galley Tap + (1) Hot & Cold Tap + (1) Water Filtration System Single Source

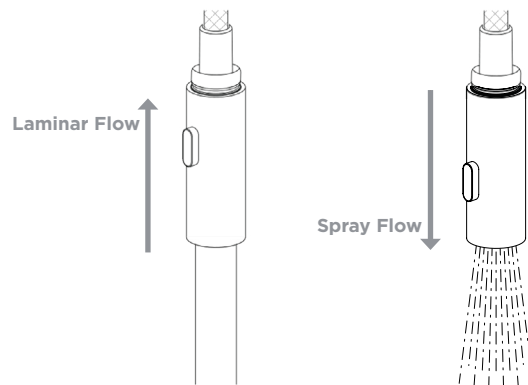
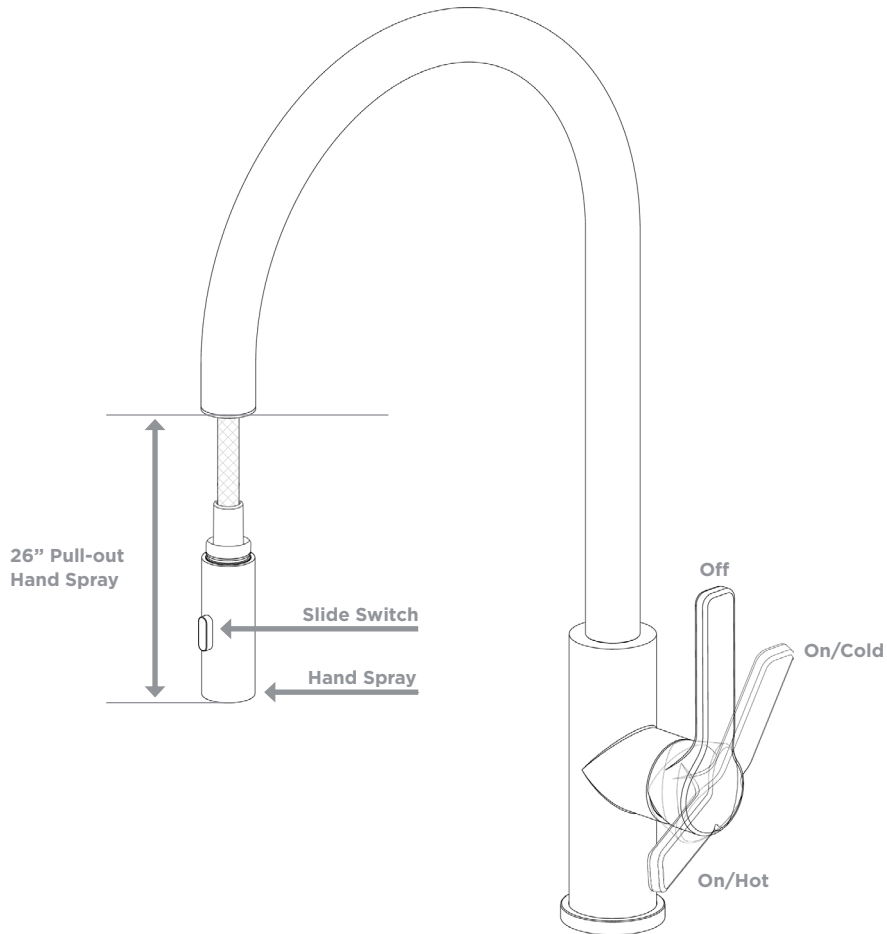


Connecting (2) Galley Taps + (1) Hot & Cold Tap + (2) Water Filtration Systems Single Source



Usage

- Faucet turns on by tilting Handle out. Tilting angle is 24°. Handle rotates forward for temperature adjustment.
- When Handle is in upright position, water temperature is fully cold. When Handle is rotated 90° forward, water temperature is fully hot.
- Hand Spray pulls out up to 26" from the spout.
- Adjust Slide Switch down for spray flow or up for laminar flow.



Maintenance: Indoor Installation

1. CARTRIDGE REPLACEMENT:

- Using an Allen Key, unthread Set Screw from handle
- Unthread and remove Dome Cap and Cartridge Nut.
- Remove and replace Cartridge. Use the two posts on the bottom of the Cartridge to seat the Cartridge correctly.

2. CHECK VALVE REPLACEMENT:

- Unthread Hose and Check Valve Housing.
- Remove and replace Check Valves by inserting them O-Ring side forward into Check Valve Housing.
- Re-assemble.

3. AERATOR REPLACEMENT:

- Use Aerator Key to remove and replace Aerator.

4. AERATOR CLEANING:

- Clean aerator periodically to eliminate any build-up.

Maintenance: Outdoor Installation

1. CARTRIDGE REPLACEMENT:

- Using an Allen Key, unthread Set Screw from handle
- Unthread and remove Dome Cap and Cartridge Nut.
- Remove and replace Cartridge. Use the two posts on the bottom of the Cartridge to seat the Cartridge correctly.

2. CHECK VALVE REPLACEMENT:

- Unthread Hose and Check Valve Housing.
- Remove and replace Check Valves by inserting them O-Ring side forward into Check Valve Housing.
- Re-assemble.

3. AERATOR REPLACEMENT:

- Use Aerator Key to remove and replace Aerator.

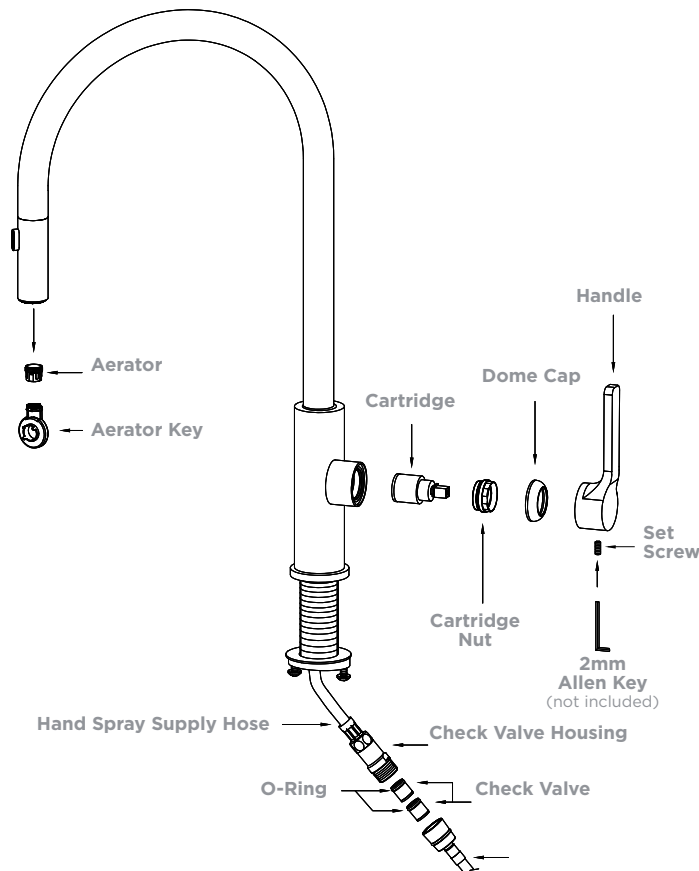
4. AERATOR CLEANING:

- Clean aerator periodically to eliminate any build-up.

Important - Your outdoor Galley Tap must be winterized if temperature falls below freezing in your area.

5. WINTERIZE YOUR GALLEY TAP:

- Turn off water supply under the counter and disconnect Hot and Cold Supply Hoses.
- Disconnect Check Valve Housing and Hand Spray Supply Hose (see picture below); remove both Check Valves.
- Open handle and pull out Hand Spray from spout to drain any water; drain completely.



Care and Cleaning the Galley Tap Finishes

ABOUT OUR FINISHES:

The Galley Tap is made of solid stainless steel. This finish has NO PROTECTIVE COATING on it. Stainless steel is by its material nature very tarnish-resistant, but by no means tarnish or stain proof. This finish will react to it's environment over time. Cleaners that contain bleach may cause rust. Keep your Galley Tap wiped clean and dry, and use only a cleaner specifically made for stainless steel. Trapped moisture on the surface of your finish can lead to staining. Astringent cleaners, chlorine, bleach, and acidic-based organic cleansers are potentially harmful to stainless steel finishes.

IMPORTANT NOTICE:

It is the responsibility of the customer to check for any material finish defects BEFORE installation.

SUGGESTED FINISH MAINTENANCE PROCEDURE:

1. Do not allow water spots to dry on the fixture. Keep the surface clean and dry after use.
2. Periodic cleaning can be done by applying a stainless steel cleaner with a soft, clean cloth to gently remove surface spots and brighten the finish. For PVD finishes, clean with a soft, warm, damp cloth.
3. Never use cleaners with bleach, abrasives or vinegar. Never use any type of abrasive cleaning pad.

Replacement Parts

* XXX Represents Finish	** From Sept 2024
1. Hand Spray	X.1051-XXX *
2. Aerator (Laminar)	A.434 **
3. Aerator Key	S.203
4. Set screw	A.128
5. Cartridge	S.232
6. Cartridge Nut	B.709
7. Dome Cap	B.710-XXX*
8. Handle	F.017-XXX*
9. Set screw	A.356
10. Base Ring	B.711-XXX *
11. Mounting Washer	A.358
12. Mounting Nut	F.016
13. Mounting Nut Screws	A.357
14. Gasket	A.064
15. Counterweight	S.368
16. Check Valves	A.188
17. Hand Spray Hose	A.354
18. Centering Ring	X29.1083



The Galley Tap - Limited Lifetime Warranty

1. GALLEY TAP LIMITED LIFETIME MECHANICAL WARRANTY —

Seller provides a Limited Lifetime Mechanical Warranty. Seller warrants its products, installed in a residential application, to be free from manufacturing defects in materials and workmanship under normal usage for the useful life of the product. This Limited Lifetime Mechanical Warranty is subject to the warranty conditions and limitations as set forth below.

2. GALLEY TAP LIMITED LIFETIME FINISH WARRANTY —

Seller provides a Limited Lifetime Finish Warranty. For the following Finishes: Polished Stainless Steel, Matte Stainless Steel, PVD Satin Black Stainless Steel, PVD Gun Metal Gray™ Stainless Steel, PVD Polished Rose Gold Stainless Steel and PVD Brushed Gold Stainless Steel, seller warrants its finishes, installed in a residential application, to be free from manufacturing defects in materials or workmanship for the useful life of the product. Please refer to the Seller's Care Instructions for the proper maintenance of Seller's finishes. This Limited Lifetime Finish Warranty is subject to the warranty conditions and limitations as set forth below.

3. WARRANTY CONDITIONS AND LIMITATIONS —

Seller's Mechanical and Finish warranties are non-transferable and are strictly limited to products correctly installed using our installation instructions and used in a residential environment. Mechanical or finish problems which result from abuse, misuse, improper installation, improper maintenance, (including not properly winterizing the Tap in outdoor installations), improper cleaning, proximity to bodies of saltwater, or accidental damage such as scuffs and scratches are not covered by this warranty. Seller does not assume liability for labor charges, removal and reinstallation expenses, freight or postage charges, or injuries resulting from a defective product. This warranty does not allow recovery of incidental or consequential damages such as loss of use, property damage, or any other consequential damage and Seller accepts no liability for such damage. Seller does not assume any responsibility other than to repair or replace the defective part(s) after Seller, upon its examination, has determined the product to be defective and the defective part(s) are covered by the Limited Lifetime Warranty expressed in this warranty. Whether to repair or replace the product shall be at the sole election of the Seller. In no event shall the liability of The Galley exceed the purchase price of the Tap. The use of Plumber's Putty will void this warranty. A non-corrosive epoxy silicone sealing compound may be used. Seller hereby disclaims all other warranties, expressed or implied, other than those set forth in this warranty. Some states do not allow the exclusion or limitation of incidental or consequential damages, so the above limitation or exclusion may not apply to you. This warranty gives you specific legal rights and you may also have other rights which vary from state to state.

4. CARE AND MAINTENANCE —

For care and maintenance instructions of all Galley products, please refer to the Use and Care section on thegalley.com.

5. WARRANTY CLAIMS —

These warranties are in effect for Seller's Products purchased on January 1st, 2017 and thereafter. For warranty claims, please contact your Authorized Galley Dealer, or you may write to:

The Galley, LLC.
Attn: Warranty Claims
12626 South Memorial Drive
Bixby, OK 74008

Please include the original receipt with a description of the problem, model number, store, date of purchase, your name, address and telephone number.



Corporate Headquarters

The Galley, LLC.
12626 South Memorial Drive
Bixby, OK 74008
800.375.4255
thegalley.com