

IWA 30S + DryDock. 12

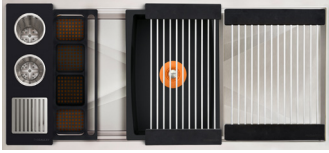
SPECIFICATIONS

IWA-30-S-DD-12-S-WA



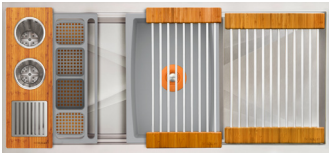
American Black Walnut / Graphite Resin+

IWA-30-S-DD-12-S-GT



Graphite Wood Composite / Graphite Resin+

IWA-30-S-DD-12-S-BA



Natural Golden Bamboo / Exclusive Gray Resin+

IWA-30-S-DD-12-S-GR



Exclusive Gray Resin+ / Resin+

IWA-30-S-DD-12-S-WH



Designer White Resin+ / Resin+

Wash Tools included (WKT-4T)



(1) Upper Tier Drying Rack
9 1/4" x 18"
DR-09-U-xx



(1) Lower Tier Wash Caddy
6" x 17"
WC-06-L-xx



(1) Lower Tier Wash Bowl
12" x 17"
WB-12-L-xx



(1) Upper Tier Utensil Caddy
6" x 18"
UC-06-U-xx

Specifications

Single bowl
Users: 1
Wash Tools included: Four
DryDock Tool included: One
Galley BarTap, recommended: One
Outside dimensions: 39 1/2" x 19 1/2" x 2 1/16"
Interior dimensions: 38" x 17" x 2"
Countertop cutout: 38 1/2" x 18"
Minimum cabinet size: 42" or 107cm
Minimum clearance required for DryDock below countertop: 2 1/4"
DryDock location: Drain side (S)

Basin (KSO-30-S-DS-12-S-SS)

16GA 316L stainless steel indoor/outdoor
SilentArmor™ sound reduction technology
Angel finish
Three tier design
Star™ groove pattern
Reversible side drain
Drain cover included
Limited Lifetime Warranty
Made in the USA
ASME A112.19.3/CSA B45.4 certified
cUPC™ certified

Customize Your Galley

Add 7-12" length
Add 1-6" length
Add 18" DryDock
Add 12" DryDock
Apron front

9" depth
Center drain
ThinTop™
WorkTop™
*Color coded labels available

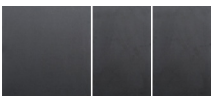
DryDock Tool included (DR-12)



(1) Lower Tier Drying Rack
12 1/4" x 17"
DR-12-L-xx

Upper Deck.

Cover set **UD-30-12-3P-WA/GT/BA/GR/WH** Walnut, Graphite, Bamboo, Gray or White Resin



18" 12" 12"



Sections Walnut, Graphite, Bamboo, Gray or White Resin



UD-18-I UD-12-I UD-09-I UD-06-I



Recommended Basin Accessories & citrine.

Bottom Grate set **BG-30-S-1-SS** Stainless Steel



25 1/2"

Strainer **M-DRN-MSS**
Angel Finish 304 Stainless Steel



Disposal Strainer **G-DRN-MSS**
Angel Finish 304 Stainless Steel

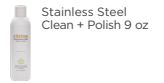


Auto Strainer Angel Finish 304 Stainless Steel with Polished or Matte knob



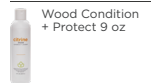
A-DRN-MSS shown

CIT-09-SS-C



Stainless Steel Clean + Polish 9 oz

CIT-09-WD-C



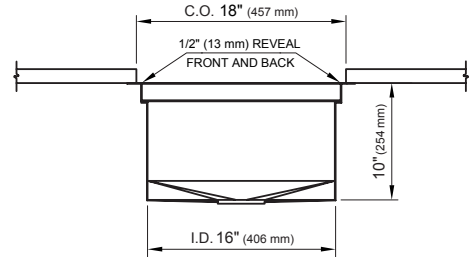
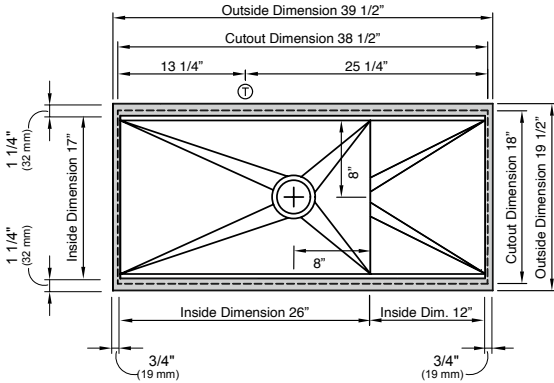
Wood Condition + Protect 9 oz

CIT-04-WD-B



Wood Finishing Balm 4 oz

Tap Hole Specifications



SUGGESTED GALLEY TAP PLACEMENT GUIDE

Suggested maximum inside corner radius of countertop cutout 3/8"

① Galley Bar Tap- 1 3/8" min to 1 1/2" max hole diameter

Center Tap hole diameters 2" behind cutout

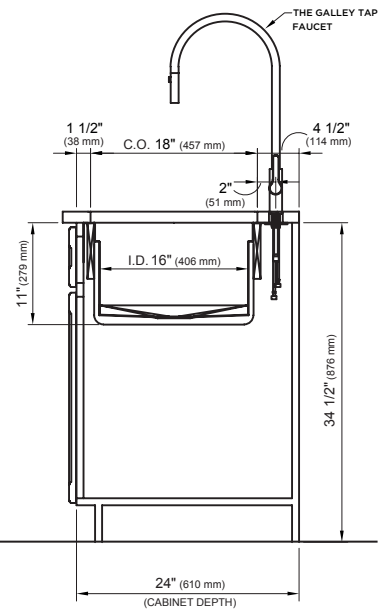
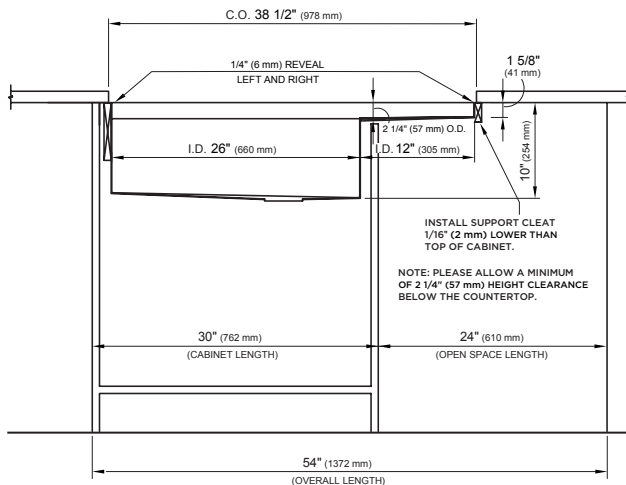
Note: Galley Hot & Cold Tap requires a minimum 8" clearance to center if installed to the right of the Galley Tap

Note: Tap Placements are for right hand or left hand drain orientation

Call 800.375.4255 or email customercare@thegalley.com for additional guidance on Tap and Tap Accessory placements

Countertop Cutout Plan

Important Installation Note: DryDock requires 2 1/4" minimum clearance below countertop



STAINLESS STEEL COMPLIANCE ASME A112. 19.3-2008/CSA B45.4-08

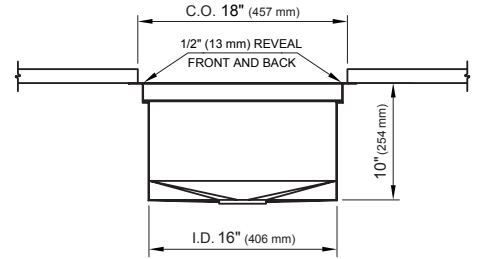
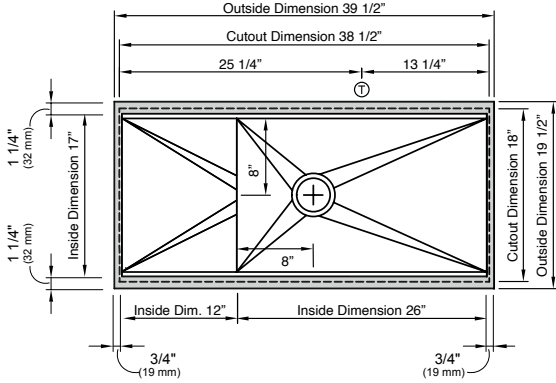
WE RESERVE THE RIGHT TO MAKE REVISIONS WITHOUT NOTICE IN THE DESIGN OF PRODUCTS OR IN PACKAGING UNLESS THIS RIGHT HAS SPECIFICALLY BEEN WAIVED AT THE TIME THE ORDER IS ACCEPTED.

DWG and DXF templates available on our website:

TheGalley.com/specification-library

Questions? For additional assistance, please contact
The Galley's Customer Care Department at 800.375.4255

Tap Hole Specifications



SUGGESTED GALLEY TAP PLACEMENT GUIDE

Suggested maximum inside corner radius of countertop cutout 3/8"

① Galley BarTap- 1 3/8" min to 1 1/2" max hole diameter

Center Tap hole diameters 2" behind cutout

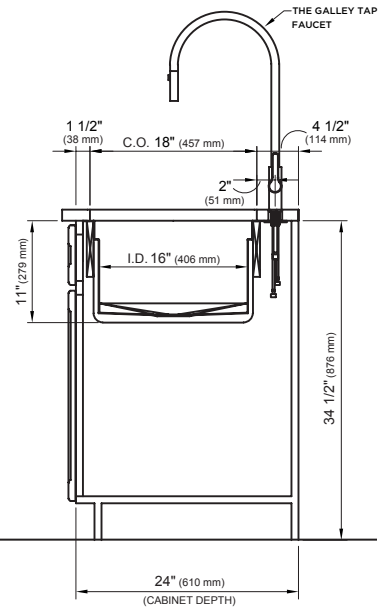
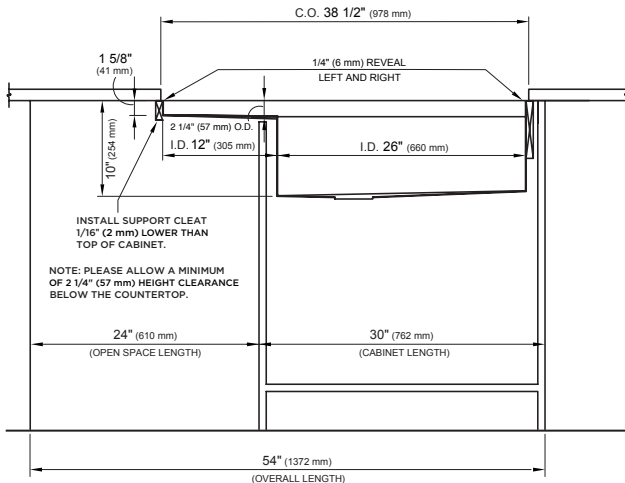
Note: Galley Hot & Cold Tap requires a minimum 8" clearance to center if installed to the right of the Galley Tap

Note: Tap Placements are for right hand or left hand drain orientation

Call 800.375.4255 or email customercare@thegalley.com for additional guidance on Tap and Tap Accessory placements

Countertop Cutout Plan

Important Installation Note: DryDock requires 2 1/4" minimum clearance below countertop



STAINLESS STEEL COMPLIANCE ASME A112. 19.3-2008/CSA B45.4-08

WE RESERVE THE RIGHT TO MAKE REVISIONS WITHOUT NOTICE IN THE DESIGN OF PRODUCTS OR IN PACKAGING UNLESS THIS RIGHT HAS SPECIFICALLY BEEN WAIVED AT THE TIME THE ORDER IS ACCEPTED.

DWG and DXF templates available on our website:

TheGalley.com/specification-library

Questions? For additional assistance, please contact
The Galley's Customer Care Department at 800.375.4255