

Ideal WashStation™ 2C

SPECIFICATIONS

IWA-2-C-WA



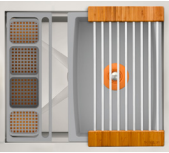
Black Walnut / Graphite Resin+

IWA-2-C-GT



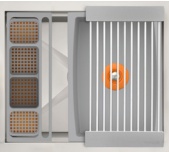
Graphite Wood / Resin+

IWA-2-C-BA



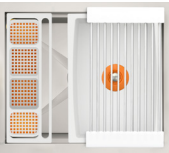
Golden Bamboo / Gray Resin+

IWA-2-C-GR



Exclusive Gray Resin+ / Resin+

IWA-2-C-WH



Designer White Resin+ / Resin+

Wash Tools included (WKT-4T)



(1) Upper Tier
Drying Rack
9 1/4" x 18"
DR-09-U-xx



(1) Lower Tier
Wash Caddy
6" x 17"
WC-06-L-xx



(1) Lower Tier
Wash Bowl
12" x 17"
WB-12-L-xx



(1) Upper Tier
Utensil Caddy
6" x 18"
UC-06-U-xx

Specifications

Single bowl
Users: 1
Wash Tools included: Four
Galley BarTap, recommended: One
Outside dimensions: 22" x 19 1/2" x 10 5/16"
Interior dimensions: 20 1/2" x 17" x 10"
Countertop cutout: 21" x 18"
Basin area: 20 1/2" x 16"
Minimum cabinet size: 24" or 60cm

Basin (KSO-2-C-SS)

16GA 316L stainless steel indoor/outdoor
SilentArmor™ sound reduction technology
Angel finish
Three tier design
Star™ groove pattern
Center drain
Drain covers included
Limited Lifetime Warranty
Made in the USA
ASME A112.19.3/CSA B45.4 certified
cUPC™ certified

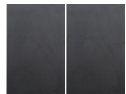
Customize Your Galley

Add 7-12" length
Add 1-6" length
Add 18" DryDock
Add 12" DryDock
Apron front

9" depth
ThinTop™
WorkTop™
*Color coded labels available

Upper Deck.

Cover set **UD-2-2P-WA/GT/BA/GR/WH** Walnut, Graphite, Bamboo, Gray or White Resin



12" 12"



Sections Walnut, Graphite, Bamboo, Gray or White Resin



UD-12-I UD-06-I



Recommended Basin Accessories & citrine.

Bottom Grate set **BG-2-C-1-SS** Stainless Steel



20"

Strainer **M-DRN-MSS**
Angel Finish 304 Stainless Steel



Disposal Strainer **G-DRN-MSS**
Angel Finish 304 Stainless Steel



Auto Strainer Angel Finish 304 Stainless Steel with Polished or Matte knob



A-DRN-PSS
A-DRN-MSS
A-DRN-MSS shown

CIT-09-SS-C



Stainless Steel
Clean + Polish 9 oz

CIT-09-WD-C



Wood Condition
+ Protect 9 oz

CIT-04-WD-B

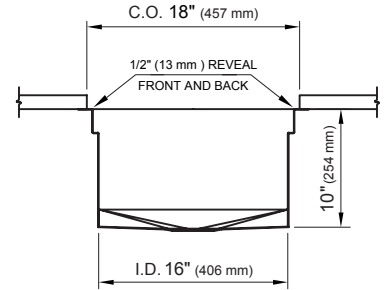
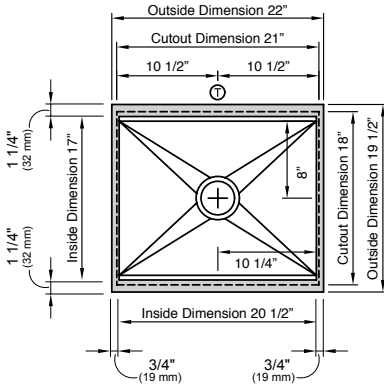


Wood Finishing
Balm 4 oz

Ideal WashStation™ 2C

SPECIFICATIONS

Tap Hole Specifications



SUGGESTED GALLEY TAP PLACEMENT GUIDE

Suggested maximum inside corner radius of countertop cutout 3/8"

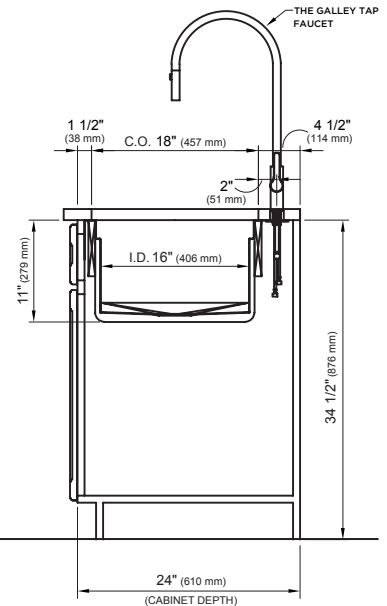
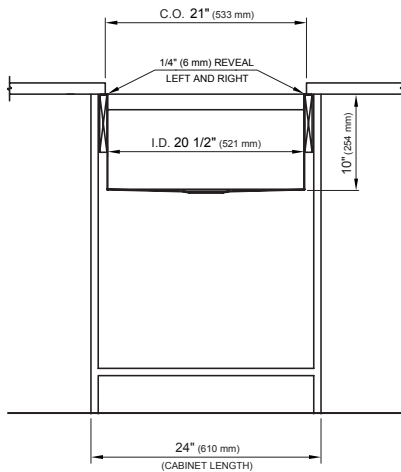
① Galley Bar Tap- 1 3/8" min to 1 1/2" max hole diameter

Center Tap hole diameters 2" behind cutout

Note: Galley Hot & Cold Tap requires a minimum 8" clearance to center if installed to the right of the Galley Tap

Call 800.375.4255 or email customercare@thegalley.com for additional guidance on Tap and Tap Accessory placements

Countertop Cutout Plan



STAINLESS STEEL COMPLIANCE ASME A112. 19.3-2008/CSA B45.4-08

WE RESERVE THE RIGHT TO MAKE REVISIONS WITHOUT NOTICE IN THE DESIGN OF PRODUCTS OR IN PACKAGING UNLESS THIS RIGHT HAS SPECIFICALLY BEEN WAIVED AT THE TIME THE ORDER IS ACCEPTED.

DWG and DXF templates available on our website:

TheGalley.com/specification-library

Questions? For additional assistance, please contact
The Galley's Customer Care Department at 800.375.4255