

Ideal WashStation™ 4X4C

SPECIFICATIONS

IWA-4X4-C-WA



American Black Walnut / Graphite Resin+

IWA-4X4-C-GT



Graphite Wood Composite / Graphite Resin+

IWA-4X4-C-BA



Natural Golden Bamboo / Exclusive Gray Resin+

IWA-4X4-C-GR



Exclusive Gray Resin+ / Resin+

IWA-4X4-C-WH



Designer White Resin+ / Resin+

Specifications

Single bowl
Users: 2 (Outside Corner), 1 (Inside Corner)
Wash Tools included: Four
Galley Tap(s) recommended:
Two (Outside Corner), One (Inside Corner)
Outside dimensions: 44" x 44" x 19 1/2" x 10 5/16"
Interior dimensions: 42" x 42" x 17" x 10"
Countertop cutout: 42 3/4" x 42 3/4" x 18"
Basin area: 42" x 42" x 16"
Min. cabinet size: 48" x 48" or 120cm x 120cm

Basin (KSO-4X4-C-SS)

16GA 316L stainless steel indoor/outdoor
SilentArmor™ sound reduction technology
Angel finish
Three tier design
Star™ groove pattern
Side drain
Drain cover included
Limited Lifetime Warranty
Made in the USA
ASME A112.19.3/CSA B45.4 certified
cUPC™ certified

Customize Your Galley

Add 7-12" length
Add 1-6" length
Add 18" DryDock
Add 12" DryDock

9" depth
ThinTop™
WorkTop™
*Color coded labels available

Wash Tools included (WKT-4T)



(1) Upper Tier
Drying Rack
9 1/4" x 18"
DR-09-U-xx



(1) Lower Tier
Wash Caddy
6" x 17"
WC-06-L-xx



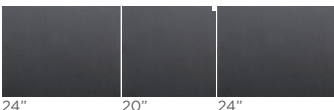
(1) Lower Tier
Wash Bowl
12" x 17"
WB-12-L-xx



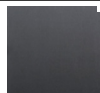
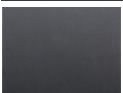
(1) Upper Tier
Utensil Caddy
6" x 18"
UC-06-U-xx

Upper Deck.

Cover set UD-4X4-3P-WA/GT/BA/GR/WH Walnut, Graphite, Bamboo, Gray or White Resin

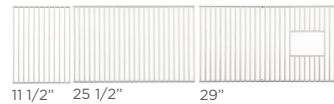


Sections Walnut, Graphite, Bamboo, Gray or White Resin

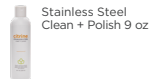


Recommended Basin Accessories & citrine.

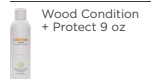
Bottom Grate set BG-4X4-C-3-SS Stainless Steel



CIT-09-SS-C



CIT-09-WD-C



CIT-04-WD-B



Strainer M-DRN-MSS
Angel Finish 304 Stainless Steel



Disposal Strainer G-DRN-MSS
Angel Finish 304 Stainless Steel



Auto Strainer Angel Finish 304 Stainless Steel with Polished or Matte knob

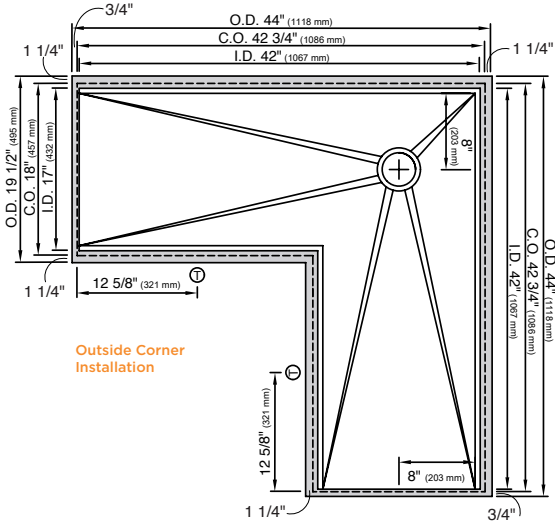


A-DRN-PSS
A-DRN-MSS
A-DRN-MSS shown

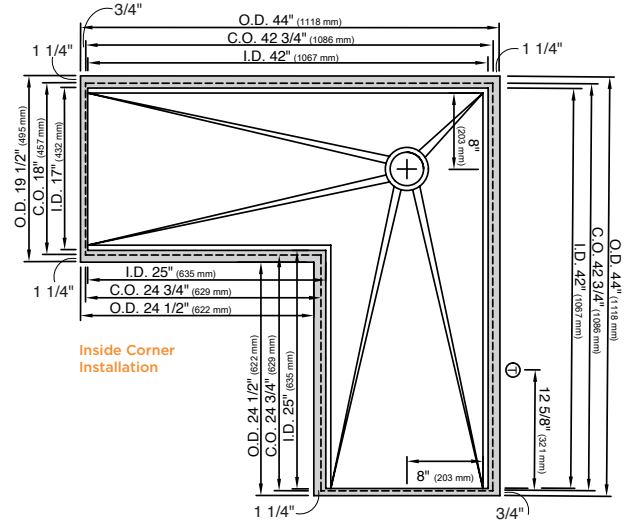
Ideal WashStation™ 4X4C

SPECIFICATIONS

Tap Hole Specifications



Outside Corner Installation



Inside Corner Installation

SUGGESTED GALLEY TAP PLACEMENT GUIDE

Suggested maximum inside corner radius of countertop cutout 3/8"

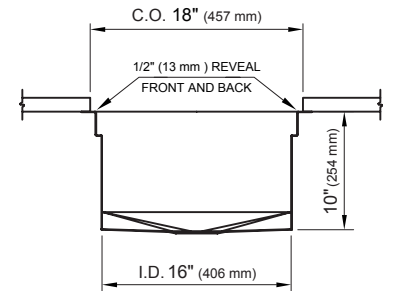
Ⓢ Galley Tap 1 3/8" min to 1 1/2" max hole diameter

Center Tap hole diameters 2" behind cutout

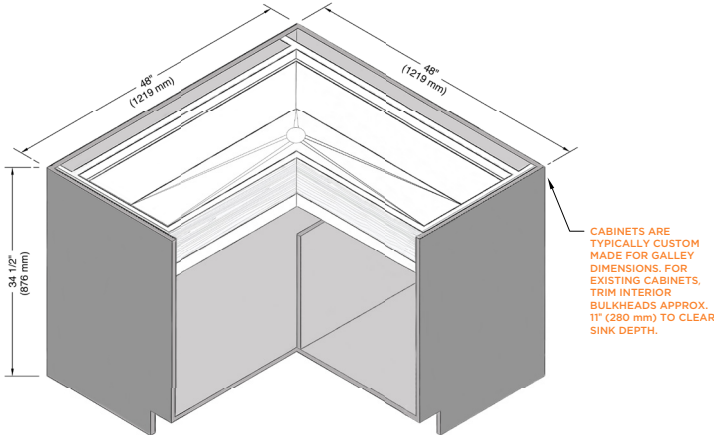
Note: Galley Hot & Cold Tap requires a minimum 8" clearance to center if installed to the right of the Galley Tap

Note: For inner corner dimensions (O.D., C.O., I.D.) on Outside Corners, look to Inside Corner drawings

Call 800.375.4255 or email customer@thegalley.com for additional guidance on Tap and Tap Accessory placements



Countertop Cutout Plan



STAINLESS STEEL COMPLIANCE ASME A112. 19.3-2008/CSA B45.4-08

WE RESERVE THE RIGHT TO MAKE REVISIONS WITHOUT NOTICE IN THE DESIGN OF PRODUCTS OR IN PACKAGING UNLESS THIS RIGHT HAS SPECIFICALLY BEEN WAIVED AT THE TIME THE ORDER IS ACCEPTED.

DWG and DXF templates available on our website:
TheGalley.com/specification-library

Questions? For additional assistance, please contact
The Galley's Customer Care Department at 800.375.4255

