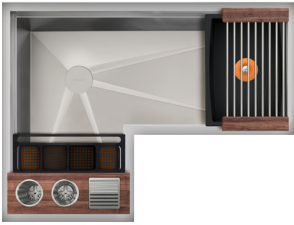


# Ideal WashStation™ 3X4C

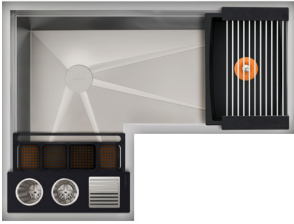
## SPECIFICATIONS

### IWA-3X4-C-WA



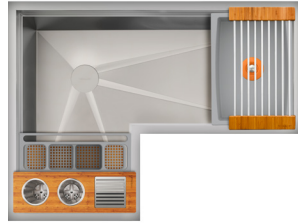
American Black Walnut / Graphite Resin+

### IWA-3X4-C-GT



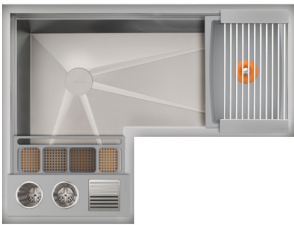
Graphite Wood Composite / Graphite Resin+

### IWA-3X4-C-BA



Natural Golden Bamboo / Exclusive Gray Resin+

### IWA-3X4-C-GR



Exclusive Gray Resin+ / Resin+

### IWA-3X4-C-WH



Designer White Resin+ / Resin+

## Specifications

Single bowl  
Users: 2 (Outside Corner), 1 (Inside Corner)  
Wash Tools included: Four  
Galley Tap recommended: One  
Outside dimensions: 32" x 44" x 19 1/2" x 10 5/16"  
Interior dimensions: 30" x 42" x 17" x 10"  
Countertop cutout: 30 3/4" x 42 3/4" x 18"  
Basin area: 30" x 42" x 16"  
Min. cabinet size: 36" x 48" or 90cm x 120cm

## Basin (KSO-3X4-C-SS)

16GA 316L stainless steel indoor/outdoor  
SilentArmor™ sound reduction technology  
Angel finish  
Three tier design  
Star™ groove pattern  
Side drain  
Drain cover included  
Limited Lifetime Warranty  
Made in the USA  
ASME A112.19.3/CSA B45.4 certified  
cUPC™ certified

## Customize Your Galley

Add 7-12" length  
Add 1-6" length  
Add 18" DryDock  
Add 12" DryDock

9" depth  
ThinTop™  
WorkTop™  
\*Color coded labels available

## Wash Tools included (WKT-4T)



(1) Upper Tier  
Drying Rack  
9 1/4" x 18"  
DR-09-U-xx



(1) Lower Tier  
Wash Caddy  
6" x 17"  
WC-06-L-xx



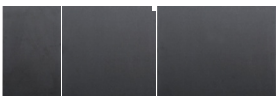
(1) Lower Tier  
Wash Bowl  
12" x 17"  
WB-12-L-xx



(1) Upper Tier  
Utensil Caddy  
6" x 18"  
UC-06-U-xx

## Upper Deck.

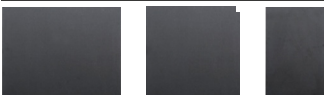
Cover set **UD-4X3-3P-WA/GT/BA/GR/WH** Walnut, Graphite, Bamboo, Gray or White Resin



12" 20" 24"



Sections Walnut, Graphite, Bamboo, Gray or White Resin

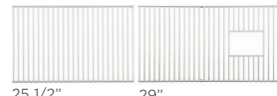


UD-24-I UD-20-C-I UD-12-I



## Recommended Basin Accessories & citrine.

Bottom Grate set **BG-4X3-C-2-SS** Stainless Steel



25 1/2" 29"

**CIT-09-SS-C**



Stainless Steel  
Clean + Polish 9 oz

**CIT-09-WD-C**



Wood Condition  
+ Protect 9 oz

**CIT-04-WD-B**



Wood Finishing  
Balm 4 oz

Strainer **M-DRN-MSS**  
Angel Finish 304 Stainless Steel



Disposal Strainer **G-DRN-MSS**  
Angel Finish 304 Stainless Steel



Auto Strainer Angel Finish 304 Stainless Steel with Polished or Matte knob

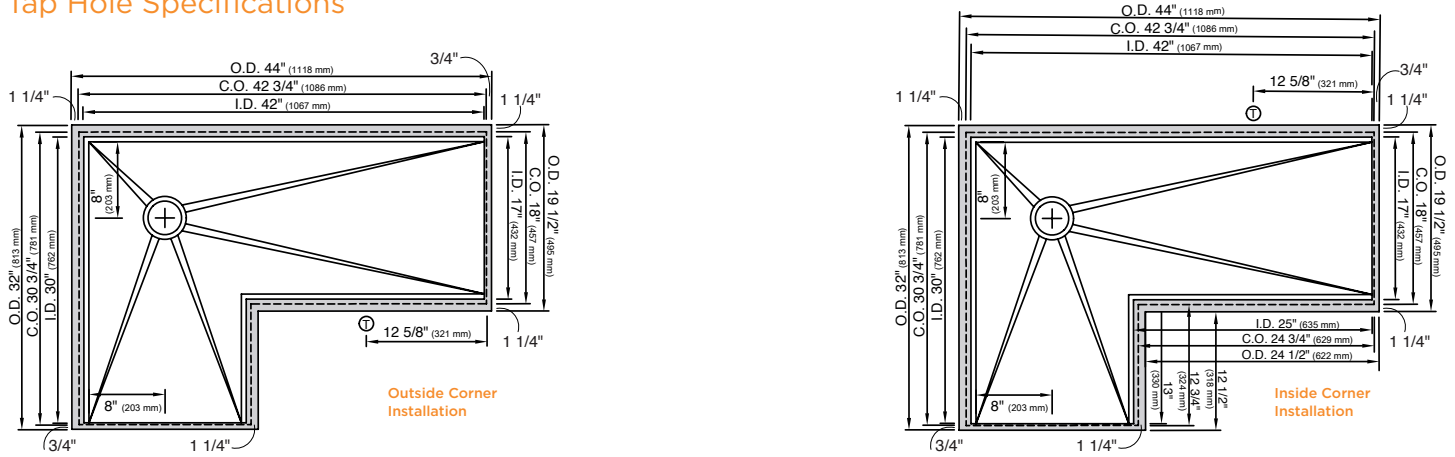


A-DRN-MSS shown

# Ideal WashStation™ 3X4C

## SPECIFICATIONS

### Tap Hole Specifications



#### SUGGESTED GALLEY TAP PLACEMENT GUIDE

Suggested maximum inside corner radius of countertop cutout 3/8"

Ⓢ Galley Tap 1 3/8" min to 1 1/2" max hole diameter

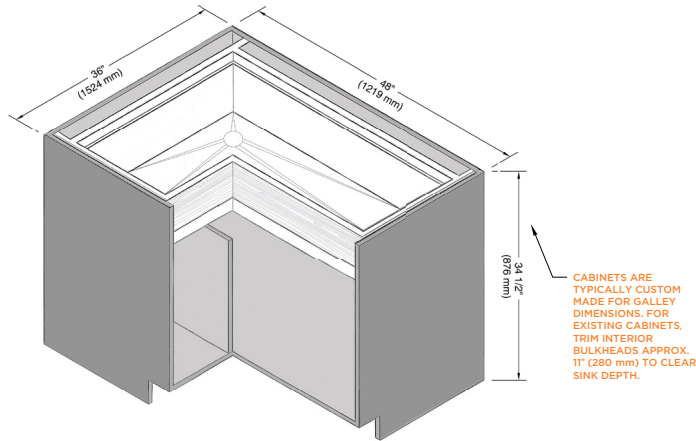
Center Tap hole diameters 2" behind cutout

**Note:** Galley Hot & Cold Tap requires a minimum 8" clearance to center if installed to the right of the Galley Tap

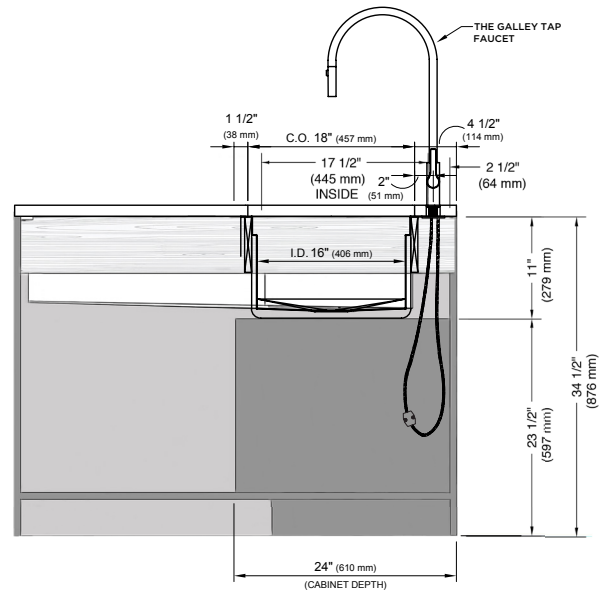
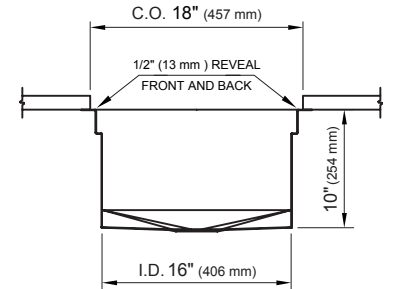
**Note:** For inner corner dimensions (O.D., C.O., I.D.) on Outside Corners, look to Inside Corner drawings

Call 800.375.4255 or email [customer@thegalley.com](mailto:customer@thegalley.com) for additional guidance on Tap and Tap Accessory placements

### Countertop Cutout Plan



CABINETS ARE TYPICALLY CUSTOM MADE FOR GALLEY DIMENSIONS. FOR EXISTING CABINETS, TRIM INTERIOR BULKHEADS APPROX. 1" (280 mm) TO CLEAR SINK DEPTH.



STAINLESS STEEL COMPLIANCE ASME A112. 19.3-2008/CSA B45.4-08

WE RESERVE THE RIGHT TO MAKE REVISIONS WITHOUT NOTICE IN THE DESIGN OF PRODUCTS OR IN PACKAGING UNLESS THIS RIGHT HAS SPECIFICALLY BEEN WAIVED AT THE TIME THE ORDER IS ACCEPTED.

DWG and DXF templates available on our website:

[TheGalley.com/specification-library](http://TheGalley.com/specification-library)

Questions? For additional assistance, please contact The Galley's Customer Care Department at 800.375.4255