

# Ideal Workstation. 7S

## SPECIFICATIONS

### IWS-7-S-BA



Natural Golden Bamboo

### IWS-7-S-GT



Graphite Wood Composite

### IWS-7-S-WH



Designer White Resin\*

### IWS-7-S-GR



Exclusive Gray Resin\*

## Specifications

Single bowl  
Users: 1-3  
Culinary Tools included: Eight  
Galley Taps recommended: Two  
Outside dimensions: 81 1/2" x 19 1/2" x 10 5/16"  
Countertop cutout: 80 1/2" x 18"  
Basin area: 80" x 16"  
Minimum cabinet size: 84" or 210cm

## Basin (KSO-7-S-SS)

16GA 316L stainless steel indoor/outdoor  
SilentArmor™ sound reduction technology  
Angel finish  
Two tier design  
Star™ groove pattern  
Reversible side drain  
Drain cover included  
Limited Lifetime Warranty  
Made in the USA  
ASME A112.19.3/CSA B45.4 certified

## Culinary Tools included (CKT-17)



(1) Upper Deck  
Section†  
18" x 19"  
UD-18-I-xx



(1) Dual Tier  
Drying Rack  
17" x 18"  
DR-17-D-xx



(2) Dual Tier  
Cutting Boards  
17" x 18"  
CB-17-D-xx



(2) Dual Tier  
Platforms  
17" x 18"  
P2-17-D-xx



(2) Stainless Steel  
Colanders  
11" 7.2-qt  
C1-11-0-ST



(2) Stainless Steel  
Mixing Bowls  
11" 7.2-qt  
B1-11-0-ST

### Personalize Your IWS-7-S

Add 7-12" length  
Add 1-6" length  
Add 18" DryDock  
Add 12" DryDock

Apron front  
9" height  
Center drain

Galley Tap collection  
Optional Culinary Tools  
\*Color coded labels available

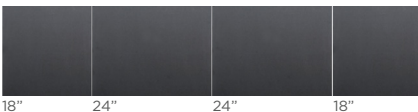
† The Upper Deck requires a 1/4" clearance below the surface of the countertop. If the countertop thickness is 2cm or less, Bamboo Upper Deck sections will not have the needed clearance to function above the Upper Tier Culinary Tools.

Please refer to Culinary Kit Finish descriptions for planning.

Custom options are available for countertops that are 1/2" or less in thickness.

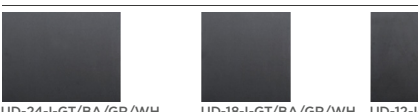
## Upper Deck™

Upper Deck cover set **UD-7-4P-GT/BA/GR/WH** Graphite, Bamboo, Gray or White Resin



(1) 18"  
Included in CKT

Upper Deck sections Graphite, Bamboo, Gray or White Resin



UD-24-I-GT/BA/GR/WH

UD-18-I-GT/BA/GR/WH

UD-12-I-GT/BA/GR/WH

## Recommended Basin Accessories

Bottom Grate set **BG-7-S-3-SS** Stainless Steel



23 1/2"

23 1/2"

31 1/2"

Manual Strainer Basket

**M-DRN-MSS** Angel Finish 304 Stainless Steel



Disposal Flange Strainer Basket

**G-DRN-MSS** Angel Finish 304 Stainless Steel



Auto Strainer Basket

Angel Finish 304 Stainless Steel with Polished or Matte knob



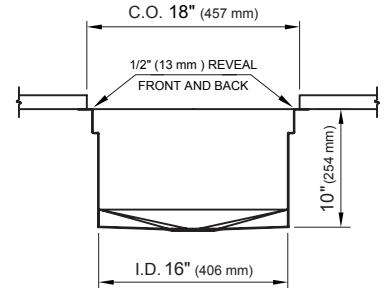
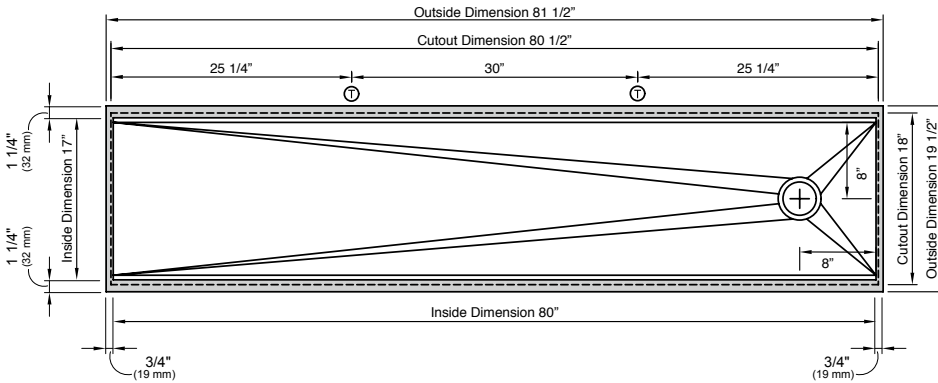
A-DRN-MSS shown

**A-DRN-PSS**  
**A-DRN-MSS**

# Ideal Workstation. 7S

## SPECIFICATIONS | Right Hand Drain Orientation

### Tap Hole Specifications



#### SUGGESTED GALLEY TAP PLACEMENT GUIDE

Suggested maximum inside corner radius of countertop cutout 3/8"

① Galley Tap 1 3/8" min to 1 1/2" max hole diameter

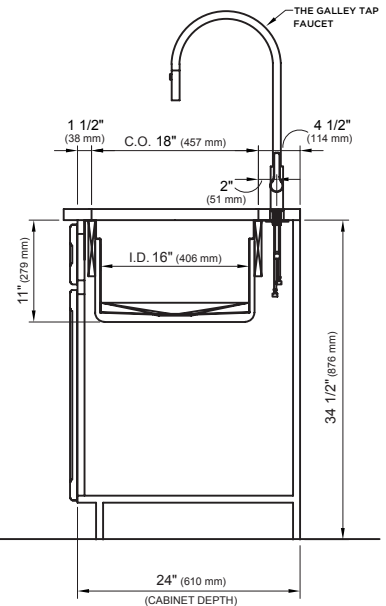
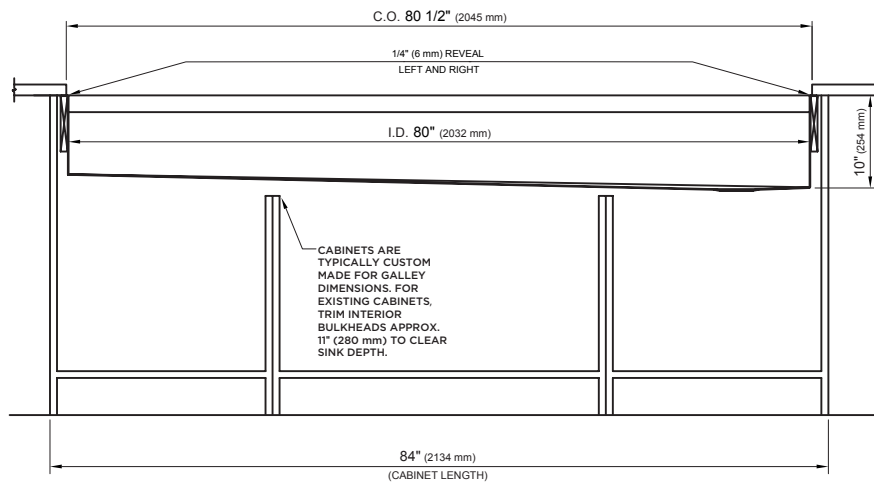
Center Tap hole diameters 2" behind cutout

Note: Galley Hot & Cold Tap requires a minimum 8" clearance to center if installed to the right of the Galley Tap

Note: Tap Placements are for right hand or left hand drain orientation

Call 800.375.4255 or email [customerservice@thegalley.com](mailto:customerservice@thegalley.com) for additional guidance on Tap and Tap Accessory placements

### Countertop Cutout Plan



STAINLESS STEEL COMPLIANCE ASME A112. 19.3-2008/CSA B45.4-08

WE RESERVE THE RIGHT TO MAKE REVISIONS WITHOUT NOTICE IN THE DESIGN OF PRODUCTS OR IN PACKAGING UNLESS THIS RIGHT HAS SPECIFICALLY BEEN WAIVED AT THE TIME THE ORDER IS ACCEPTED.

DWG and DXF templates available on our website:

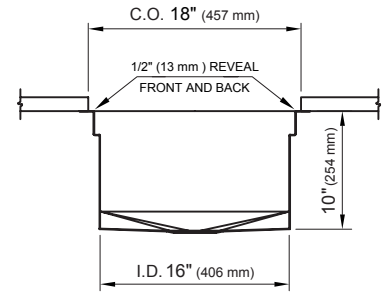
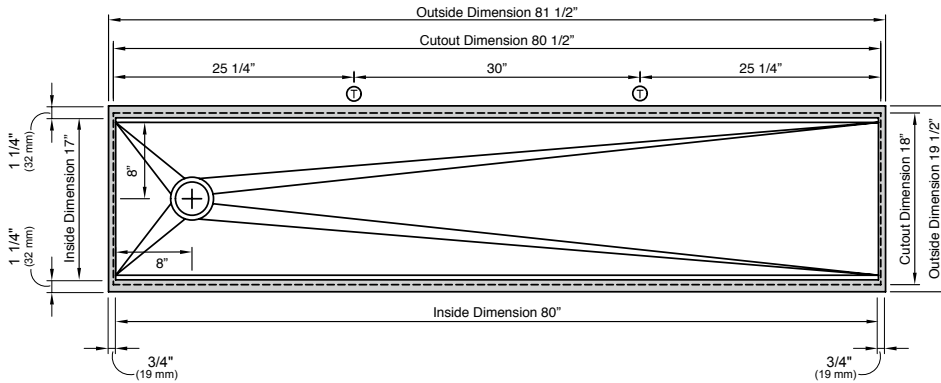
[TheGalley.com/specification-library](http://TheGalley.com/specification-library)

Questions? For additional assistance, please contact  
The Galley's Customer Service Department at 800.375.4255

# Ideal Workstation. 7S

## SPECIFICATIONS | Left Hand Drain Orientation

### Tap Hole Specifications



#### SUGGESTED GALLEY TAP PLACEMENT GUIDE

Suggested maximum inside corner radius of countertop cutout 3/8"

⊕ Galley Tap 1 3/8" min to 1 1/2" max hole diameter

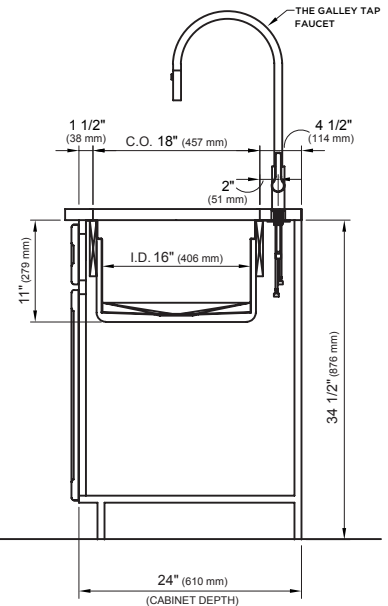
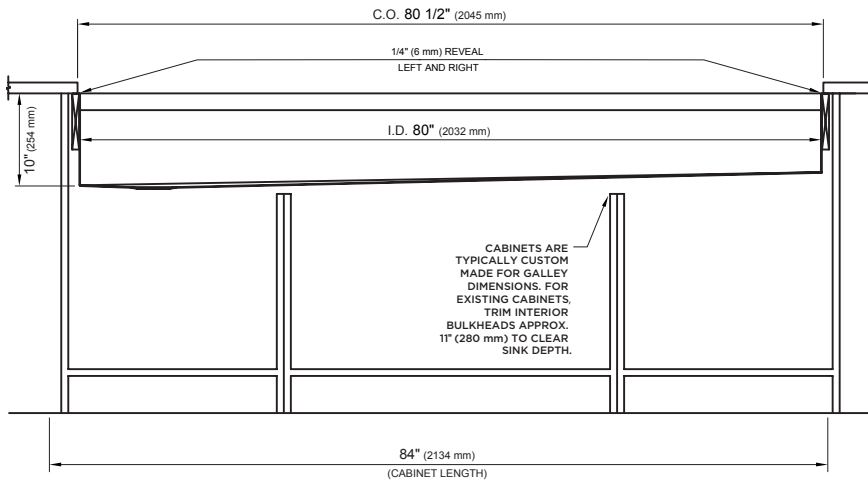
Center Tap hole diameters 2" behind cutout

Note: Galley Hot & Cold Tap requires a minimum 8" clearance to center if installed to the right of the Galley Tap

Note: Tap Placements are for right hand or left hand drain orientation

Call 800.375.4255 or email [customerservice@thegalley.com](mailto:customerservice@thegalley.com) for additional guidance on Tap and Tap Accessory placements

### Countertop Cutout Plan



STAINLESS STEEL COMPLIANCE ASME A112. 19.3-2008/CSA B45.4-08

WE RESERVE THE RIGHT TO MAKE REVISIONS WITHOUT NOTICE IN THE DESIGN OF PRODUCTS OR IN PACKAGING UNLESS THIS RIGHT HAS SPECIFICALLY BEEN WAIVED AT THE TIME THE ORDER IS ACCEPTED.

DWG and DXF templates available on our website:

[TheGalley.com/specification-library](http://TheGalley.com/specification-library)

Questions? For additional assistance, please contact The Galley's Customer Service Department at 800.375.4255