

IWS 3S + DryDock® 12 in stock

SPECIFICATIONS

IWS-3-S-DD-12-S-BA



Natural Golden Bamboo

IWS-3-S-DD-12-S-GT



Graphite Wood Composite

IWS-3-S-DD-12-S-WH



Designer White Resin*

IWS-3-S-DD-12-S-GR



Exclusive Gray Resin*

Specifications

Single bowl
Users: 1
Culinary Tools included: Five
DryDock Tool included: One
Galley Tap recommended: One
Outside dimensions: 45 1/2" x 19 1/2" x 2 1/16"
Countertop cutout: 44 1/2" x 18"
Minimum cabinet size: 48" or 120cm
Minimum clearance required for DryDock below countertop: 2"
DryDock location: Drain side (S)

Culinary Tools included (CKT-12)



(1) Upper Deck Section[†]
12" x 19"
UD-12-I-xx



(1) Upper Tier Drying Rack
12 1/4" x 18"
DR-12-U-xx



(1) Upper Tier Cutting Board
12 1/4" x 18"
CB-12-U-xx



(2) Lower Tier Platforms
12 1/4" x 17"
P1-12-L-xx



(1) Stainless Steel Colander
11" 7.2-qt
C1-11-0-ST



(1) Stainless Steel Mixing Bowl
11" 7.2-qt
B1-11-0-ST



(1) Lower Tier Drying Rack
12 1/4" x 17"
DR-12-L-xx

DryDock Tool included (DR-12)

Basin (KSO-3-S-DS-12-S-SS)

16GA 316L stainless steel indoor/outdoor
SilentArmor™ sound reduction technology
Angel finish
Two tier design
Star™ groove pattern
Reversible side drain
Drain cover included
Limited Lifetime Warranty
Made in the USA
ASME A112.19.3/CSA B45.4 certified
cUPC™ certified

Personalize Your IWS-3-S-DD-12-S

Add 7-12" length Apron front Galley Tap collection
Add 1-6" length 9" height Optional Culinary Tools
Add 18" DryDock Center drain *Color coded labels available
Add 12" DryDock

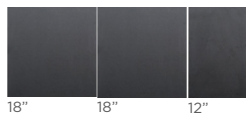
[†] The Upper Deck requires a 1/4" clearance below the surface of the countertop. If the countertop thickness is 2cm or less, Bamboo Upper Deck sections will not have the needed clearance to function above the Upper Tier Culinary Tools.

Please refer to Culinary Kit Finish descriptions for planning.

Custom options are available for countertops that are 1/2" or less in thickness.

Upper Deck.

Upper Deck cover set **UD-3-12-3P-GT/BA/GR/WH** Graphite, Bamboo, Gray or White Resin



18" 18" 12"



(1) 12"

Included in CKT

Upper Deck sections Graphite, Bamboo, Gray or White Resin



UD-18-I-GT/BA/GR/WH UD-12-I-GT/BA/GR/WH UD-09-I-GT/BA/GR/WH

Recommended Basin Accessories

Bottom Grate set **BG-3-S-1-SS** Stainless Steel



31 1/2"

Manual Strainer Basket
M-DRN-MSS Angel Finish 304 Stainless Steel



Disposal Flange Strainer Basket
G-DRN-MSS Angel Finish 304 Stainless Steel



Auto Strainer Basket Angel Finish 304 Stainless Steel with Polished or Matte knob



A-DRN-MSS shown

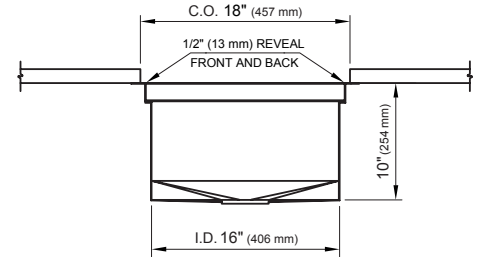
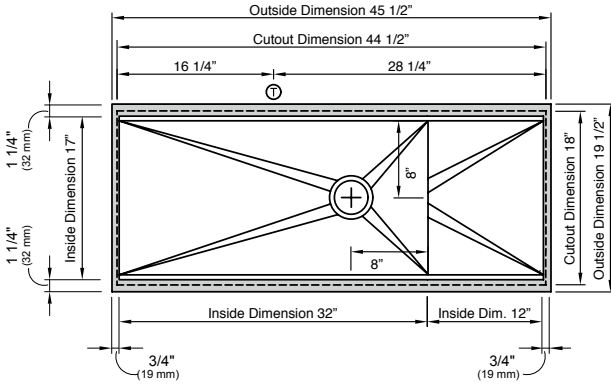
A-DRN-PSS
A-DRN-MSS

IWS 3S + DryDock® 12 in stock

SPECIFICATIONS | Right Hand Drain Orientation



Tap Hole Specifications



SUGGESTED GALLEY TAP PLACEMENT GUIDE

Suggested maximum inside corner radius of countertop cutout 3/8"

① Galley Tap 1 3/8" min to 1 1/2" max hole diameter

Center Tap hole diameters 2" behind cutout

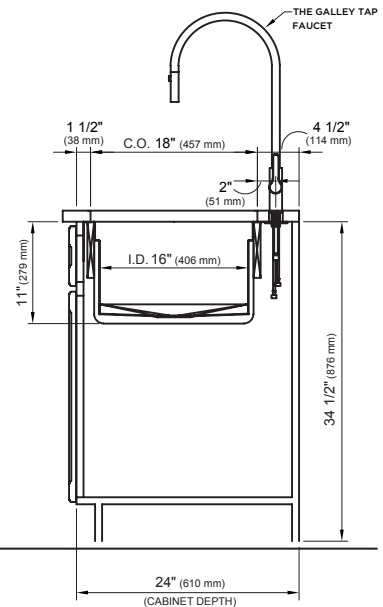
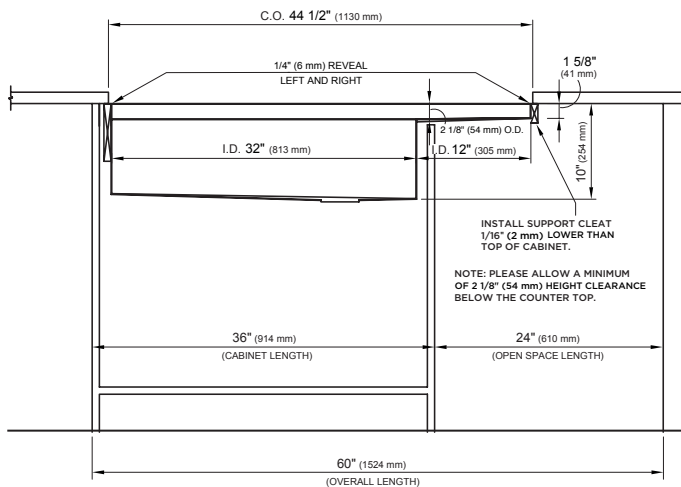
Note: Galley Hot & Cold Tap requires a minimum 8" clearance to center if installed to the right of the Galley Tap

Note: Tap Placements are for right hand or left hand drain orientation

Call 800.375.4255 or email customerservice@thegalley.com for additional guidance on Tap and Tap Accessory placements

Countertop Cutout Plan

Important Installation Note: DryDock requires 2" minimum clearance below countertop



STAINLESS STEEL COMPLIANCE ASME A112. 19.3-2008/CSA B45.4-08

WE RESERVE THE RIGHT TO MAKE REVISIONS WITHOUT NOTICE IN THE DESIGN OF PRODUCTS OR IN PACKAGING UNLESS THIS RIGHT HAS SPECIFICALLY BEEN WAIVED AT THE TIME THE ORDER IS ACCEPTED.

DWG and DXF templates available on our website:

TheGalley.com/specification-library

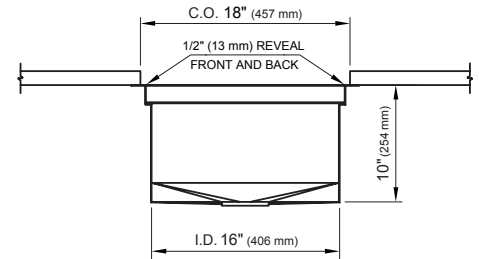
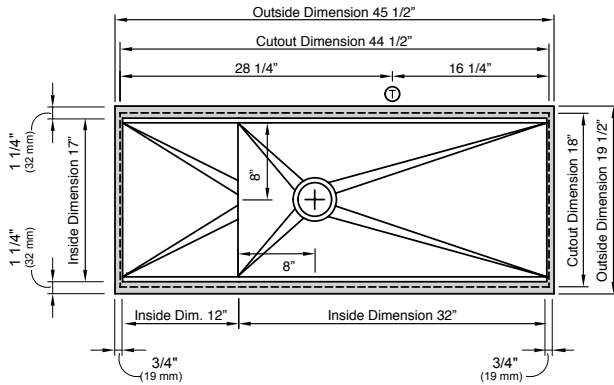
Questions? For additional assistance, please contact
The Galley's Customer Service Department at 800.375.4255

IWS 3S + DryDock® 12 in stock

SPECIFICATIONS | Left Hand Drain Orientation



Tap Hole Specifications



SUGGESTED GALLEY TAP PLACEMENT GUIDE

Suggested maximum inside corner radius of countertop cutout 3/8"

① Galley Tap 1 3/8" min to 1 1/2" max hole diameter

Center Tap hole diameters 2" behind cutout

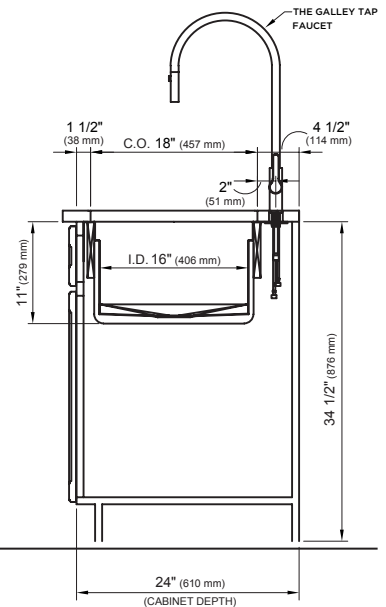
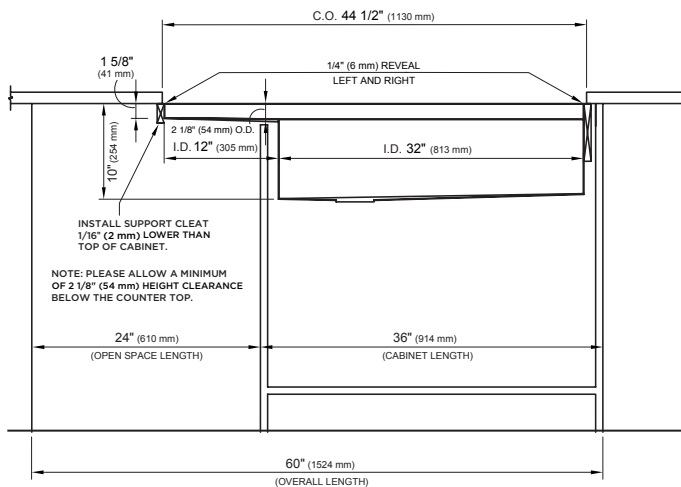
Center Tap Hot & Cold Tap requires a minimum 8" clearance to center if installed to the right of the Galley Tap

Note: Tap Placements are for right hand or left hand drain orientation

Call 800.375.4255 or email customerservice@thegalley.com for additional guidance on Tap and Tap Accessory placements

Countertop Cutout Plan

Important Installation Note: DryDock requires 2" minimum clearance below countertop



STAINLESS STEEL COMPLIANCE ASME A112. 19.3-2008/CSA B45.4-08

WE RESERVE THE RIGHT TO MAKE REVISIONS WITHOUT NOTICE IN THE DESIGN OF PRODUCTS OR IN PACKAGING UNLESS THIS RIGHT HAS SPECIFICALLY BEEN WAIVED AT THE TIME THE ORDER IS ACCEPTED.

DWG and DXF templates available on our website:

TheGalley.com/specification-library

Questions? For additional assistance, please contact
The Galley's Customer Service Department at 800.375.4255