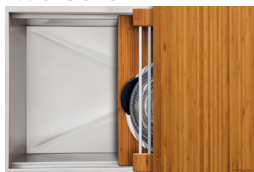


Ideal Workstation. 30S

SPECIFICATIONS

IWS-30-S-BA



Natural Golden Bamboo

IWS-30-S-GT



Graphite Wood Composite

IWS-30-S-WH



Designer White Resin*

IWS-30-S-GR

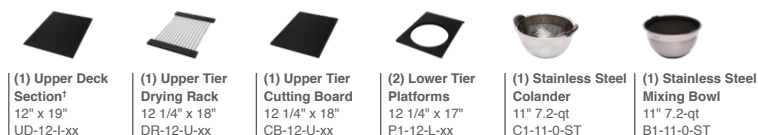


Exclusive Gray Resin*

Specifications

Single bowl
Users: 1
Culinary Tools included: Five
Galley BarTap® recommended: One
Outside dimensions: 27 1/2" x 19 1/2" x 10 5/16"
Countertop cutout: 26 1/2" x 18"
Basin area: 26" x 16"
Minimum cabinet size: 30" or 76cm

Culinary Tools included (CKT-12)



Basin (KSO-30-S-SS)

16GA 316L stainless steel indoor/outdoor
SilentArmor™ sound reduction technology
Angel finish
Two tier design
Star™ groove pattern
Reversible side drain
Drain cover included
Limited Lifetime Warranty
Made in the USA
ASME A112.19.3/CSA B45.4 certified
cUPC™ certified

Personalize Your IWS-30-S

Add 7-12" length	Apron front	Galley Tap collection
Add 1-6" length	9" height	Optional Culinary Tools
Add 18" DryDock	Center drain	*Color coded labels available
Add 12" DryDock		

[†] The Upper Deck requires a 1/4" clearance below the surface of the countertop. If the countertop thickness is 2cm or less, Bamboo Upper Deck sections will not have the needed clearance to function above the Upper Tier Culinary Tools.

Please refer to Culinary Kit Finish descriptions for planning.

Custom options are available for countertops that are 1/2" or less in thickness.

Upper Deck.

Upper Deck cover set UD-30-2P-GT/BA/GR/WH Graphite, Bamboo, Gray or White Resin

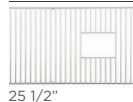


Upper Deck sections Graphite, Bamboo, Gray or White Resin



Recommended Basin Accessories

Bottom Grate set BG-30-S-1-SS Stainless Steel



Manual Strainer Basket
M-DRN-MSS Angel Finish 304 Stainless Steel



Disposal Flange Strainer Basket
G-DRN-MSS Angel Finish 304 Stainless Steel



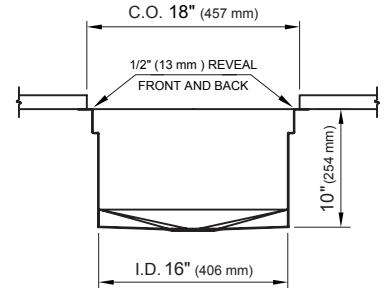
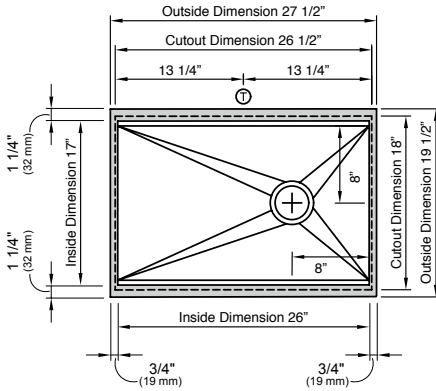
Auto Strainer Basket Angel Finish 304 Stainless Steel with Polished or Matte knob



Ideal Workstation. 30S

SPECIFICATIONS | Right Hand Drain Orientation

Tap Hole Specifications



SUGGESTED GALLEY TAP PLACEMENT GUIDE

Suggested maximum inside corner radius of countertop cutout 3/8"

① Galley Bar Tap- 1 3/8" min to 1 1/2" max hole diameter

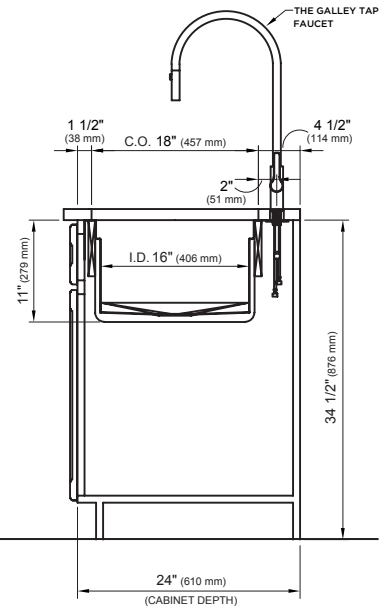
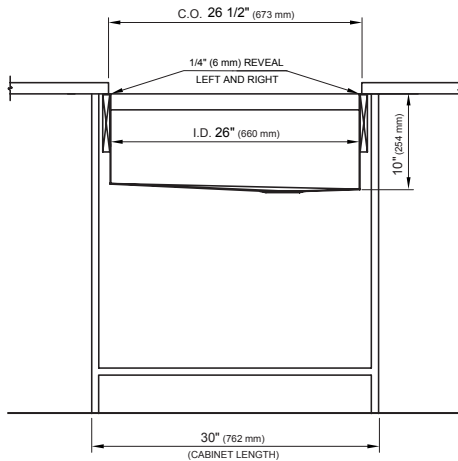
Center Tap hole diameters 2" behind cutout

Note: Galley Hot & Cold Tap requires a minimum 8" clearance to center if installed to the right of the Galley Tap

Note: Tap Placements are for right hand or left hand drain orientation

Call 800.375.4255 or email customerservice@thegalley.com for additional guidance on Tap and Tap Accessory placements

Countertop Cutout Plan



STAINLESS STEEL COMPLIANCE ASME A112. 19.3-2008/CSA B45.4-08

WE RESERVE THE RIGHT TO MAKE REVISIONS WITHOUT NOTICE IN THE DESIGN OF PRODUCTS OR IN PACKAGING UNLESS THIS RIGHT HAS SPECIFICALLY BEEN WAIVED AT THE TIME THE ORDER IS ACCEPTED.

DWG and DXF templates available on our website:

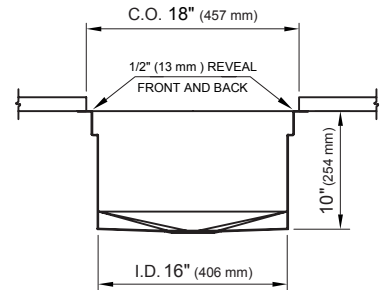
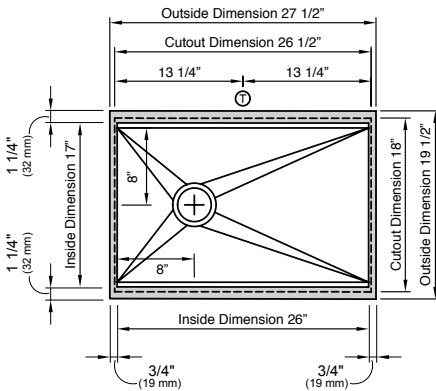
TheGalley.com/specification-library

Questions? For additional assistance, please contact
The Galley's Customer Service Department at 800.375.4255

Ideal Workstation. 30S

SPECIFICATIONS | Left Hand Drain Orientation

Tap Hole Specifications



SUGGESTED GALLEY TAP PLACEMENT GUIDE

Suggested maximum inside corner radius of countertop cutout 3/8"

① Galley Tap 1 3/8" min to 1 1/2" max hole diameter

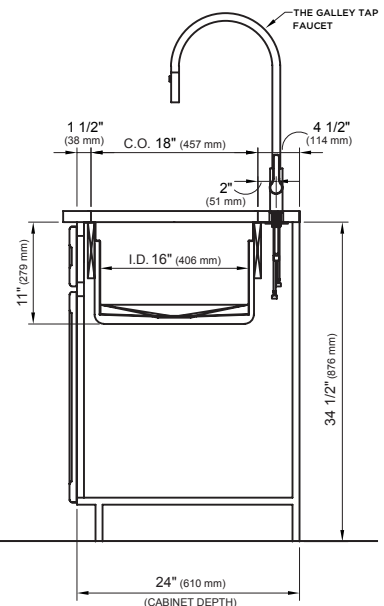
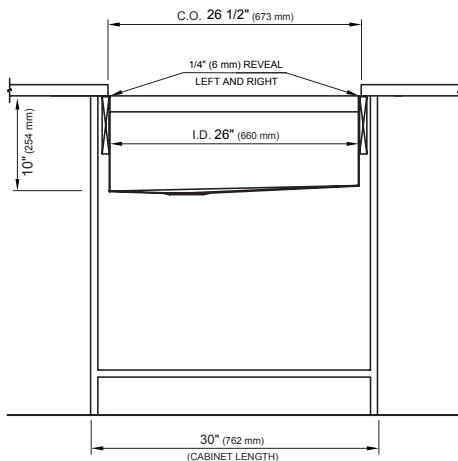
Center Tap hole diameters 2" behind cutout

Note: Galley Hot & Cold Tap requires a minimum 8" clearance to center if installed to the right of the Galley Tap

Note: Tap Placements are for right hand or left hand drain orientation

Call 800.375.4255 or email customerservice@thegalley.com for additional guidance on Tap and Tap Accessory placements

Countertop Cutout Plan



STAINLESS STEEL COMPLIANCE ASME A112. 19.3-2008/CSA B45.4-08

WE RESERVE THE RIGHT TO MAKE REVISIONS WITHOUT NOTICE IN THE DESIGN OF PRODUCTS OR IN PACKAGING UNLESS THIS RIGHT HAS SPECIFICALLY BEEN WAIVED AT THE TIME THE ORDER IS ACCEPTED.

DWG and DXF templates available on our website:

TheGalley.com/specification-library

Questions? For additional assistance, please contact
The Galley's Customer Service Department at 800.375.4255