

# Ideal WashStation™ 4S

## SPECIFICATIONS

**IWA-4-S-BA**



Natural Golden Bamboo / Exclusive Gray Resin

**IWA-4-S-GT**



Graphite Wood Composite / Graphite Resin

**IWA-4-S-WH**



Designer White Resin\*

**IWA-4-S-GR**



Exclusive Gray Resin\*

## Specifications

- Single bowl
- Users: 1
- Wash Tools included: Four
- Galley Tap recommended: One
- Outside dimensions: 45 1/2" x 19 1/2" x 10 5/16"
- Countertop cutout: 44 1/2" x 18"
- Basin area: 44" x 16"
- Minimum cabinet size: 48" or 120cm

## Wash Tools included (WKT-4T)



(1) Upper Tier Drying Rack  
9 1/4" x 18"  
DR-09-U-xx



(1) Lower Tier Wash Caddy  
6" x 17"  
WC-06-L-xx



(1) Lower Tier Wash Bowl  
12" x 17"  
WB-12-L-xx



(1) Upper Tier Utensil Caddy  
6" x 18"  
UC-06-U-xx

## Basin (KSO-4-S-SS)

- 16GA 316L stainless steel indoor/outdoor
- SilentArmor™ sound reduction technology
- Angel finish
- Two tier design
- Star™ groove pattern
- Reversible side drain
- Drain cover included
- Limited Lifetime Warranty
- Made in the USA
- ASME A112.19.3/CSA B45.4 certified

### Personalize Your IWA-4-S

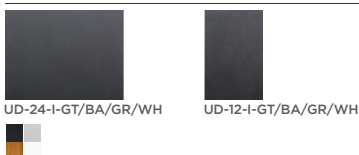
- Add 7-12" length Apron front
- Add 1-6" length 9" height
- Add 18" DryDock Center drain
- Add 12" DryDock
- Galley Tap collection
- Optional Culinary Tools
- \*Color coded labels available

## Upper Deck™

Upper Deck cover set **UD-4-2P-GT/BA/GR/WH** Graphite, Bamboo, Gray or White Resin

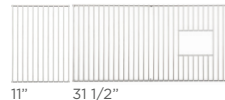


Upper Deck sections Graphite, Bamboo, Gray or White Resin



## Recommended Basin Accessories

Bottom Grate set **BG-4-S-2-SS** Stainless Steel



Manual Strainer Basket  
**M-DRN-MSS** Angel Finish 304 Stainless Steel



Disposal Flange Strainer Basket  
**G-DRN-MSS** Angel Finish 304 Stainless Steel



Auto Strainer Basket Angel Finish 304 Stainless Steel with Polished or Matte knob

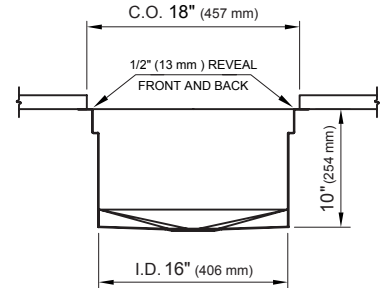
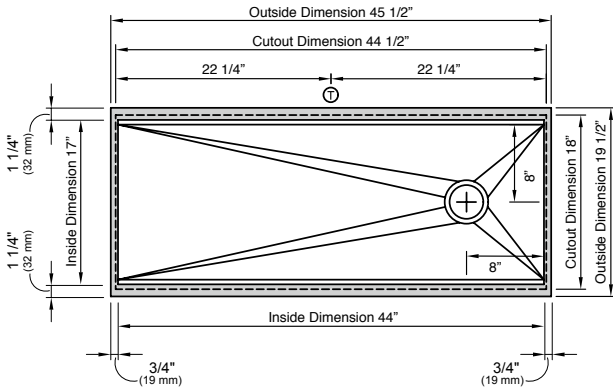


**A-DRN-PSS**  
**A-DRN-MSS**

# Ideal WashStation™ 4S

## SPECIFICATIONS | Right Hand Drain Orientation

### Tap Hole Specifications



#### SUGGESTED GALLEY TAP PLACEMENT GUIDE

Suggested maximum inside corner radius of countertop cutout 3/8"

⊕ Galley Tap 1 3/8" min to 1 1/2" max hole diameter

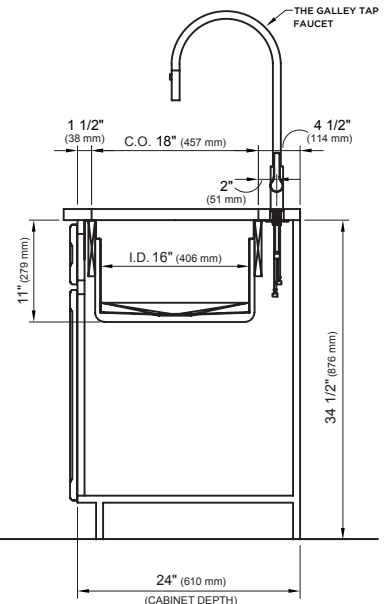
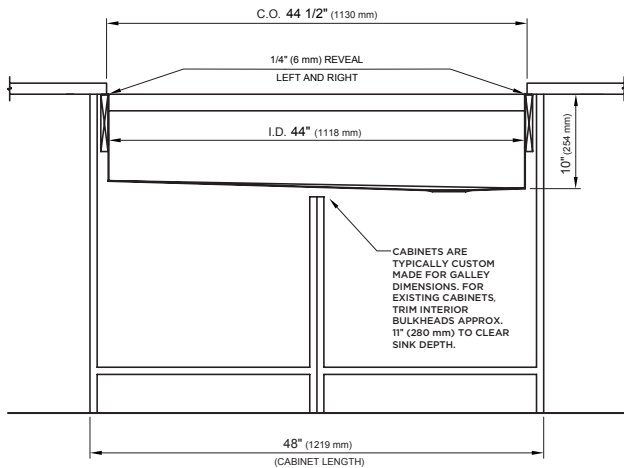
Center Tap hole diameters 2" behind cutout

Note: Galley Hot & Cold Tap requires a minimum 8" clearance to center if installed to the right of the Galley Tap

Note: Tap Placements are for right hand or left hand drain orientation

Call 800.375.4255 or email [customerservice@thegalley.com](mailto:customerservice@thegalley.com) for additional guidance on Tap and Tap Accessory placements

### Countertop Cutout Plan



STAINLESS STEEL COMPLIANCE ASME A112. 19.3-2008/CSA B45.4-08

WE RESERVE THE RIGHT TO MAKE REVISIONS WITHOUT NOTICE IN THE DESIGN OF PRODUCTS OR IN PACKAGING UNLESS THIS RIGHT HAS SPECIFICALLY BEEN WAIVED AT THE TIME THE ORDER IS ACCEPTED.

DWG and DXF templates available on our website:

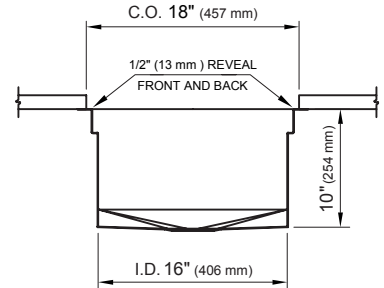
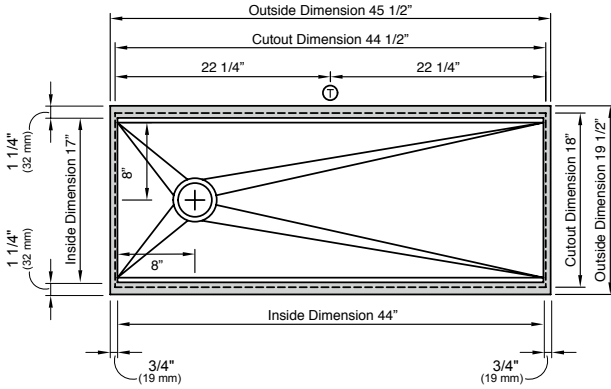
[TheGalley.com/specification-library](http://TheGalley.com/specification-library)

Questions? For additional assistance, please contact  
The Galley's Customer Service Department at 800.375.4255

# Ideal WashStation™ 4S

## SPECIFICATIONS | Left Hand Drain Orientation

### Tap Hole Specifications



#### SUGGESTED GALLEY TAP PLACEMENT GUIDE

Suggested maximum inside corner radius of countertop cutout 3/8"

⊕ Galley Tap 1 3/8" min to 1 1/2" max hole diameter

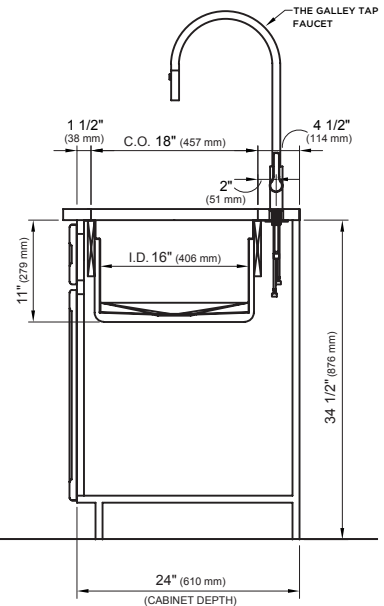
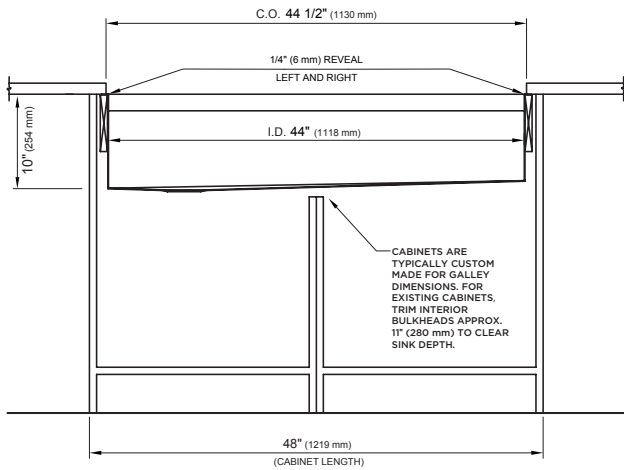
Center Tap hole diameters 2" behind cutout

Center Tap Hot & Cold Tap requires a minimum 8" clearance to center if installed to the right of the Galley Tap

**Note:** Tap Placements are for right hand or left hand drain orientation

Call 800.375.4255 or email [customerservice@thegalley.com](mailto:customerservice@thegalley.com) for additional guidance on Tap and Tap Accessory placements

### Countertop Cutout Plan



STAINLESS STEEL COMPLIANCE ASME A112. 19.3-2008/CSA B45.4-08

WE RESERVE THE RIGHT TO MAKE REVISIONS WITHOUT NOTICE IN THE DESIGN OF PRODUCTS OR IN PACKAGING UNLESS THIS RIGHT HAS SPECIFICALLY BEEN WAIVED AT THE TIME THE ORDER IS ACCEPTED.

DWG and DXF templates available on our website:

[TheGalley.com/specification-library](http://TheGalley.com/specification-library)

Questions? For additional assistance, please contact  
The Galley's Customer Service Department at 800.375.4255