

IWA 30S + DryDock® 18 in stock

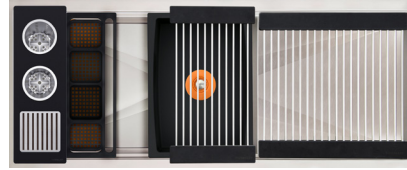
SPECIFICATIONS

IWA-30-S-DD-18-S-BA



Natural Golden Bamboo

IWA-30-S-DD-18-S-GT



Graphite Wood Composite

IWA-30-S-DD-18-S-WH



Designer White Resin*

IWA-30-S-DD-18-S-GR



Exclusive Gray Resin*

Specifications

Single bowl
Users: 1
Wash Tools included: Four
DryDock Tool included: One
Galley BarTap® recommended: One
Outside dimensions: 45 1/2" x 19 1/2" x 2 1/16"
Countertop cutout: 44 1/2" x 18"
Minimum cabinet size: 48" or 120cm
Minimum clearance required for DryDock below countertop: 2"
DryDock location: Drain side (S)

Basin (KSO-30-S-DS-18-S-SS)

16GA 316L stainless steel indoor/outdoor
SilentArmor™ sound reduction technology
Angel finish
Two tier design
Star™ groove pattern
Reversible side drain
Drain cover included
Limited Lifetime Warranty
Made in the USA
ASME A112.19.3/CSA B45.4 certified
cUPC™ certified

Wash Tools included (WKT-4T)



(1) Upper Tier
Drying Rack
9 1/4" x 18"
DR-09-U-xx



(1) Lower Tier
Wash Caddy
6" x 17"
WC-06-L-xx



(1) Lower Tier
Wash Bowl
12" x 17"
WB-12-L-xx



(1) Upper Tier
Utensil Caddy
6" x 18"
UC-06-U-xx

DryDock Tool included (DR-18)



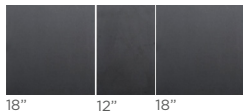
(1) Dual Tier
Drying Rack
18" x 17"
DR-18-D-xx

Personalize Your IWA-30-S-DD-18-S

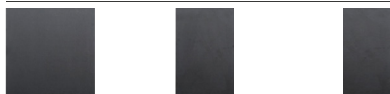
Add 7-12" length	Apron front	Galley Tap collection
Add 1-6" length	9" height	Optional Culinary Tools
Add 18" DryDock	Center drain	*Color coded labels available
Add 12" DryDock		

Upper Deck.

Upper Deck cover set **UD-30-18-3P-GT/BA/GR/WH** Graphite, Bamboo, Gray or White Resin



Upper Deck sections Graphite, Bamboo, Gray or White Resin

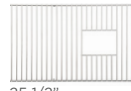


UD-18-I-GT/BA/GR/WH UD-12-I-GT/BA/GR/WH UD-09-I-GT/BA/GR/WH



Recommended Basin Accessories

Bottom Grate set **BG-30-S-1-SS** Stainless Steel



25 1/2"

Manual Strainer Basket

M-DRN-MSS Angel Finish 304 Stainless Steel



Disposal Flange Strainer Basket

G-DRN-MSS Angel Finish 304 Stainless Steel



Auto Strainer Basket

Angel Finish 304 Stainless Steel with Polished or Matte knob



A-DRN-MSS shown

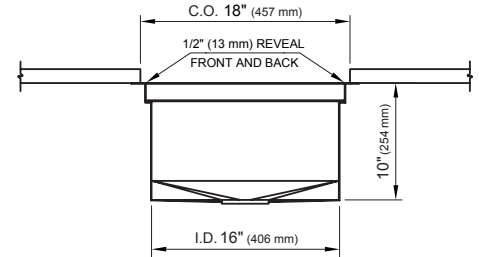
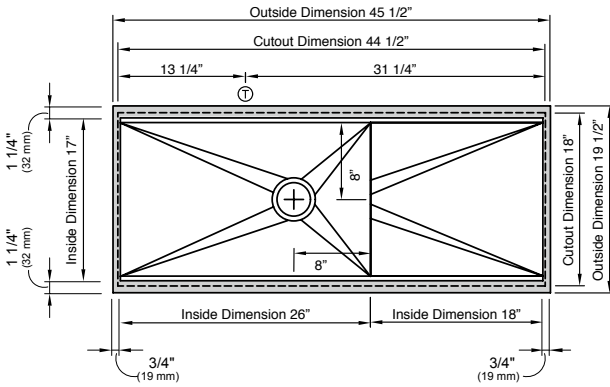
A-DRN-PSS
A-DRN-MSS

IWA 30S + DryDock® 18 in stock

SPECIFICATIONS | Right Hand Drain Orientation



Tap Hole Specifications



SUGGESTED GALLEY TAP PLACEMENT GUIDE

Suggested maximum inside corner radius of countertop cutout 3/8"

① Galley Bar Tap- 1 3/8" min to 1 1/2" max hole diameter

Center Tap hole diameters 2" behind cutout

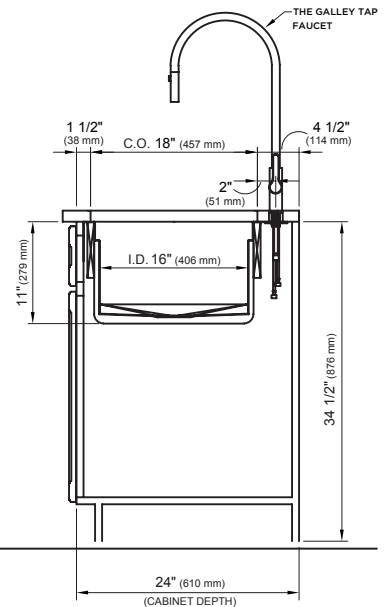
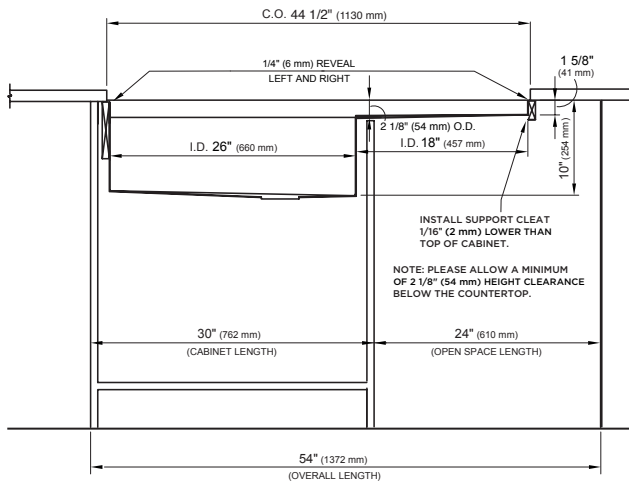
Note: Galley Hot & Cold Tap requires a minimum 8" clearance to center if installed to the right of the Galley Tap

Note: Tap Placements are for right hand or left hand drain orientation

Call 800.375.4255 or email customerservice@thegalley.com for additional guidance on Tap and Tap Accessory placements

Countertop Cutout Plan

Important Installation Note: DryDock requires 2" minimum clearance below countertop



STAINLESS STEEL COMPLIANCE ASME A112. 19.3-2008/CSA B45.4-08

WE RESERVE THE RIGHT TO MAKE REVISIONS WITHOUT NOTICE IN THE DESIGN OF PRODUCTS OR IN PACKAGING UNLESS THIS RIGHT HAS SPECIFICALLY BEEN WAIVED AT THE TIME THE ORDER IS ACCEPTED.

DWG and DXF templates available on our website:

TheGalley.com/specification-library

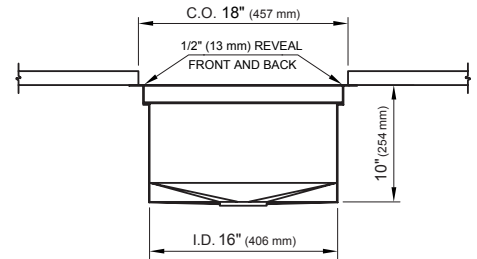
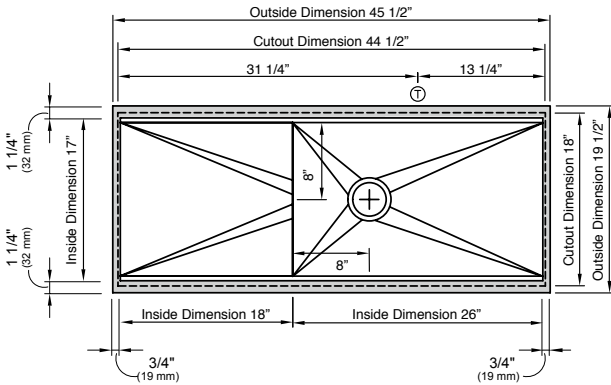
Questions? For additional assistance, please contact
The Galley's Customer Service Department at 800.375.4255

IWA 30S + DryDock® 18 in stock

SPECIFICATIONS | Left Hand Drain Orientation



Tap Hole Specifications



SUGGESTED GALLEY TAP PLACEMENT GUIDE

Suggested maximum inside corner radius of countertop cutout 3/8"

① Galley Bar Tap- 1 3/8" min to 1 1/2" max hole diameter

Center Tap hole diameters 2" behind cutout

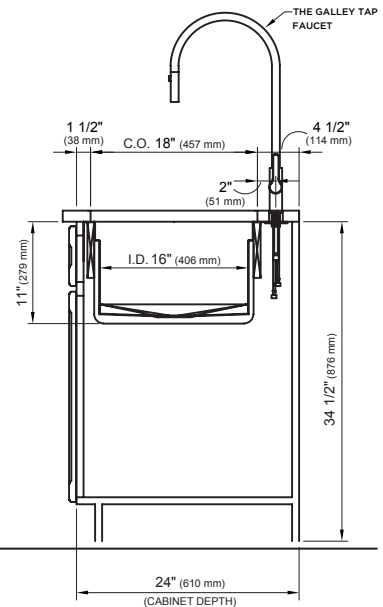
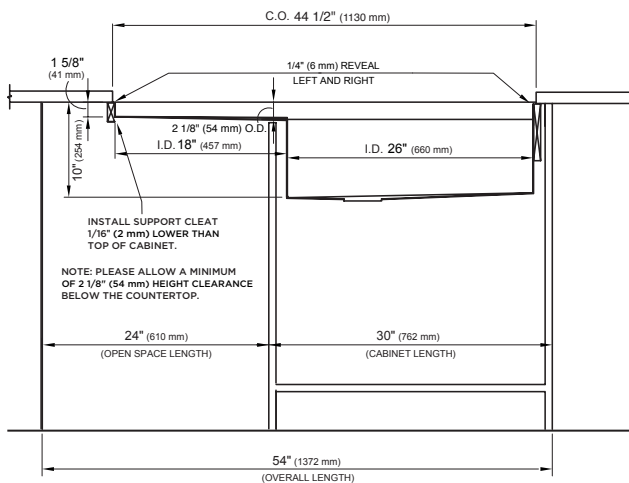
Note: Galley Hot & Cold Tap requires a minimum 8" clearance to center if installed to the right of the Galley Tap

Note: Tap Placements are for right hand or left hand drain orientation

Call 800.375.4255 or email customerservice@thegalley.com for additional guidance on Tap and Tap Accessory placements

Countertop Cutout Plan

Important Installation Note: DryDock requires 2" minimum clearance below countertop



STAINLESS STEEL COMPLIANCE ASME A112. 19.3-2008/CSA B45.4-08

WE RESERVE THE RIGHT TO MAKE REVISIONS WITHOUT NOTICE IN THE DESIGN OF PRODUCTS OR IN PACKAGING UNLESS THIS RIGHT HAS SPECIFICALLY BEEN WAIVED AT THE TIME THE ORDER IS ACCEPTED.

DWG and DXF templates available on our website:

TheGalley.com/specification-library

Questions? For additional assistance, please contact
The Galley's Customer Service Department at 800.375.4255