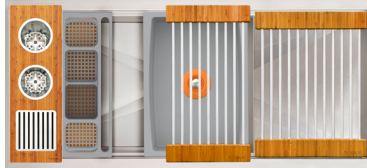


IWA 30S + DryDock™ 12 in stock

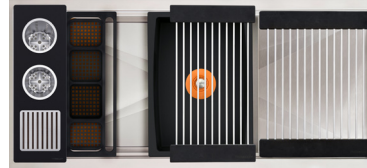
SPECIFICATIONS

IWA-30-S-DD-12-S-BA



Natural Golden Bamboo

IWA-30-S-DD-12-S-GT



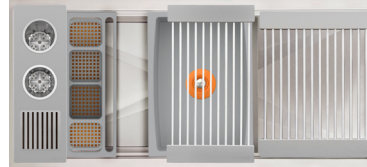
Graphite Wood Composite

IWA-30-S-DD-12-S-WH



Designer White Resin*

IWA-30-S-DD-12-S-GR



Exclusive Gray Resin*

Specifications

Single bowl
Users: 1
Wash Tools included: Four
DryDock Tool included: One
Galley BarTap® recommended: One
Outside dimensions: 39 1/2" x 19 1/2" x 2 1/16"
Countertop cutout: 38 1/2" x 18"
Minimum cabinet size: 42" or 107cm
Minimum clearance required for DryDock below countertop: 2"
DryDock location: Drain side (S)

Wash Tools included (WKT-4T)



(1) Upper Tier
Drying Rack
9 1/4" x 18"
DR-09-U-xx



(1) Lower Tier
Wash Caddy
6" x 17"
WC-06-L-xx



(1) Lower Tier
Wash Bowl
12" x 17"
WB-12-L-xx



(1) Upper Tier
Utensil Caddy
6" x 18"
UC-06-U-xx

DryDock Tool included (DR-12)



(1) Lower Tier
Drying Rack
12 1/4" x 17"
DR-12-L-xx

Basin (KSO-30-S-DS-12-S-SS)

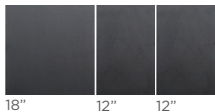
16GA 316L stainless steel indoor/outdoor
SilentArmor™ sound reduction technology
Angel finish
Two tier design
Star™ groove pattern
Reversible side drain
Drain cover included
Limited Lifetime Warranty
Made in the USA
ASME A112.19.3/CSA B45.4 certified

Personalize Your IWA-30-S-DD-12-S

Add 7-12" length Apron front Galley Tap collection
Add 1-6" length 9" height Optional Culinary Tools
Add 18" DryDock Center drain *Color coded labels available
Add 12" DryDock

Upper Deck™

Upper Deck cover set **UD-30-12-3P-GT/BA/GR/WH** Graphite, Bamboo, Gray or White Resin



Upper Deck sections Graphite, Bamboo, Gray or White Resin



UD-18-I-GT/BA/GR/WH UD-12-I-GT/BA/GR/WH UD-09-I-GT/BA/GR/WH



Recommended Basin Accessories

Bottom Grate set **BG-30-S-1-SS** Stainless Steel



25 1/2"

Manual Strainer Basket

M-DRN-MSS Angel Finish 304 Stainless Steel



Disposal Flange Strainer Basket

G-DRN-MSS Angel Finish 304 Stainless Steel



Auto Strainer Basket

Angel Finish 304 Stainless Steel with Polished or Matte knob



A-DRN-MSS shown

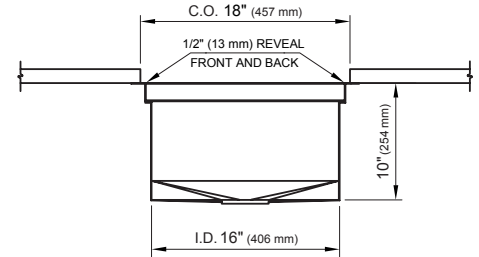
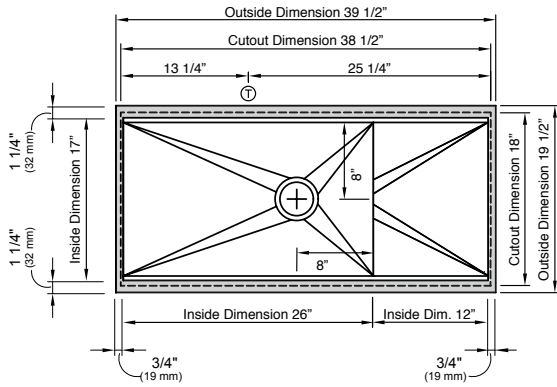
A-DRN-PSS
A-DRN-MSS

IWA 30S + DryDock™ 12 in stock

SPECIFICATIONS | Right Hand Drain Orientation



Tap Hole Specifications



SUGGESTED GALLEY TAP PLACEMENT GUIDE

Suggested maximum inside corner radius of countertop cutout 3/8"

① Galley Bar Tap - 1 3/8" min to 1 1/2" max hole diameter

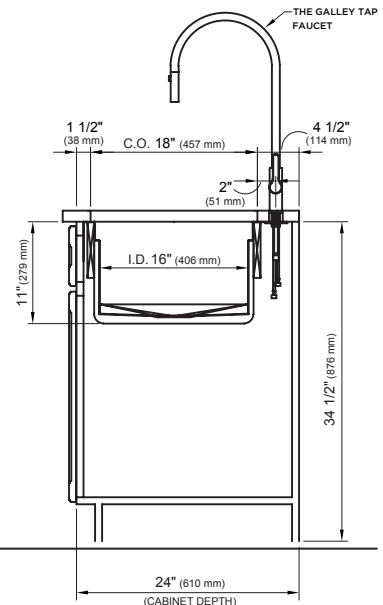
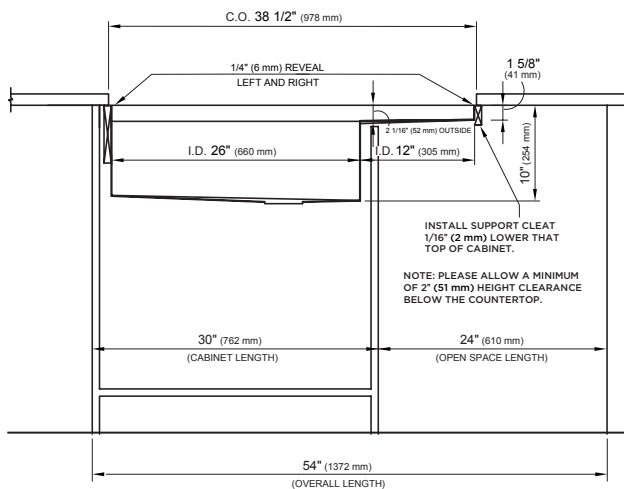
Center Tap hole diameters 2" behind cutout

Center Tap hole diameters 8" clearance to center if installed to the right of the Galley Tap

Note: Tap Placements are for right hand or left hand drain orientation

Call 800.375.4255 or email customerservice@thegalley.com for additional guidance on Tap and Tap Accessory placements

Countertop Cutout Plan



STAINLESS STEEL COMPLIANCE ASME A112. 19.3-2008/CSA B45.4-08

WE RESERVE THE RIGHT TO MAKE REVISIONS WITHOUT NOTICE IN THE DESIGN OF PRODUCTS OR IN PACKAGING UNLESS THIS RIGHT HAS SPECIFICALLY BEEN WAIVED AT THE TIME THE ORDER IS ACCEPTED.

DWG and DXF templates available on our website:

TheGalley.com/specification-library

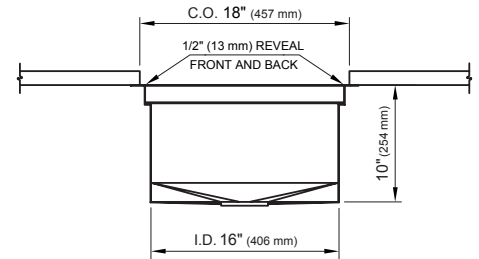
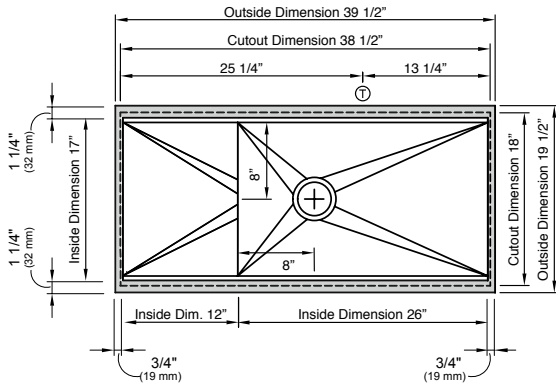
Questions? For additional assistance, please contact
The Galley's Customer Service Department at 800.375.4255

IWA 30S + DryDock™ 12 in stock

SPECIFICATIONS | Left Hand Drain Orientation



Tap Hole Specifications



SUGGESTED GALLEY TAP PLACEMENT GUIDE

Suggested maximum inside corner radius of countertop cutout 3/8"

① Galley BarTap- 1 3/8" min to 1 1/2" max hole diameter

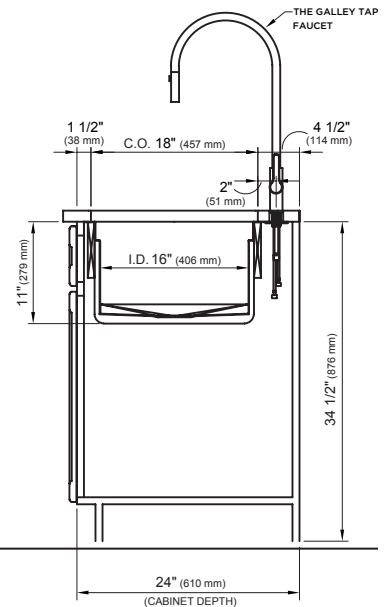
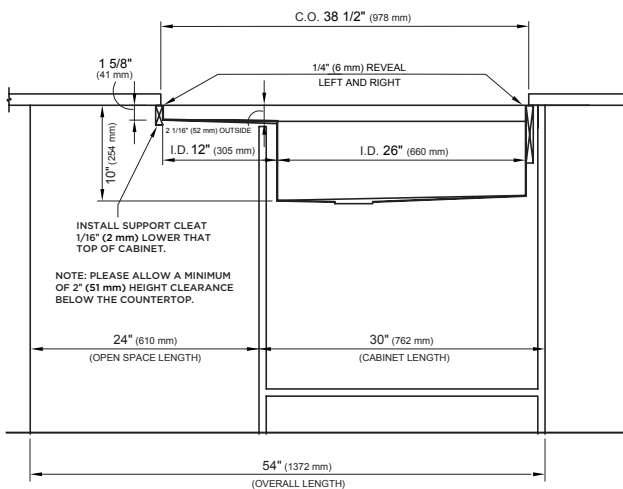
Center Tap hole diameters 2" behind cutout

Note: Galley Hot & Cold Tap requires a minimum 8" clearance to center if installed to the right of the Galley Tap

Note: Tap Placements are for right hand or left hand drain orientation

Call 800.375.4255 or email customerservice@thegalley.com for additional guidance on Tap and Tap Accessory placements

Countertop Cutout Plan



STAINLESS STEEL COMPLIANCE ASME A112. 19.3-2008/CSA B45.4-08

WE RESERVE THE RIGHT TO MAKE REVISIONS WITHOUT NOTICE IN THE DESIGN OF PRODUCTS OR IN PACKAGING UNLESS THIS RIGHT HAS SPECIFICALLY BEEN WAIVED AT THE TIME THE ORDER IS ACCEPTED.

DWG and DXF templates available on our website:

TheGalley.com/specification-library

Questions? For additional assistance, please contact
The Galley's Customer Service Department at 800.375.4255