

# Ideal HydroStation™

## SPECIFICATIONS

IHS-1-V-BA IHS-1-V-GT



Natural Golden Bamboo



Graphite Wood Composite

IHS-1-V-WH



Designer White Resin

IHS-1-V-GR



Exclusive Gray Resin

## Specifications

Single bowl  
Users: 1  
Hydro Tool included: One  
Galley Hot & Cold Tap recommended: One  
Outside dimensions: 9" x 13 1/2" x 1 5/8"  
Countertop cutout: 7 1/2" x 12"  
Basin Drain Opening: 2"  
Basin area: 6 1/2" x 12"

## Basin (HSO-1-V-SS)

16GA 316L stainless steel indoor/outdoor  
SilentArmor™ sound reduction technology  
Angel finish  
One tier design  
Star™ groove pattern  
Drain included  
Drain cover included  
Limited Lifetime Warranty  
Made in the USA  
ASME A112.19.3/CSA B45.4 certified  
cUPC™ certified

## Hydro Tool included (HP-7X7)

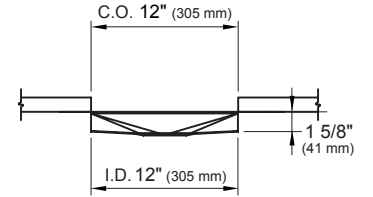
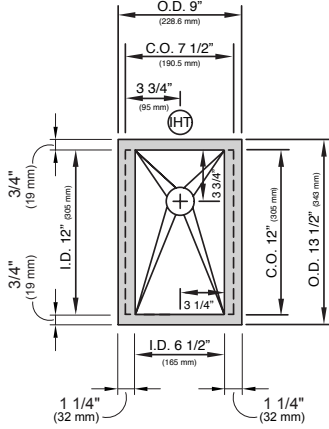


(1) HydroPlate  
7" x 7"  
HP-7X7-xx

# Ideal HydroStation™

## SPECIFICATIONS

### Tap Hole Specifications



#### SUGGESTED GALLEY TAP PLACEMENT GUIDE

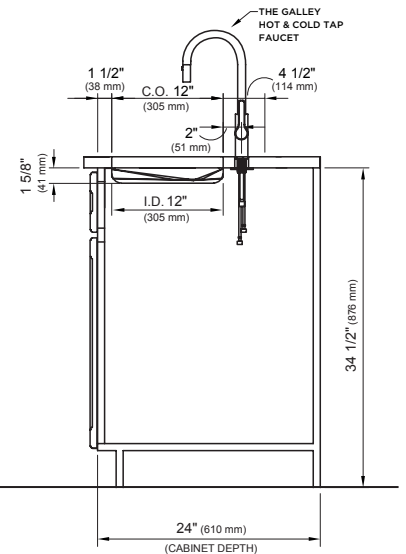
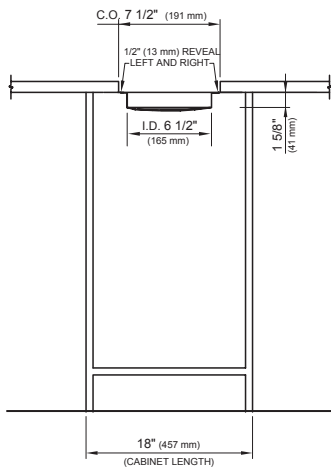
Suggested maximum inside corner radius of countertop cutout 3/8"

⊕ Galley Hot & Cold Tap 1 3/8" min to 1 1/2" max hole diameter

Center Tap hole diameter 2" behind cutout

Call 800.375.4255 or email [customerservice@thegalley.com](mailto:customerservice@thegalley.com) for additional guidance on Tap and Tap Accessory placements

### Countertop Cutout Plan



#### STAINLESS STEEL COMPLIANCE ASME A112. 19.3-2008/CSA B45.4-08

WE RESERVE THE RIGHT TO MAKE REVISIONS WITHOUT NOTICE IN THE DESIGN OF PRODUCTS OR IN PACKAGING UNLESS THIS RIGHT HAS SPECIFICALLY BEEN WAIVED AT THE TIME THE ORDER IS ACCEPTED.

DWG and DXF templates available on our website:  
[TheGalley.com/specification-library](http://TheGalley.com/specification-library)

Questions? For additional assistance, please contact  
The Galley's Customer Service Department at 800.375.4255