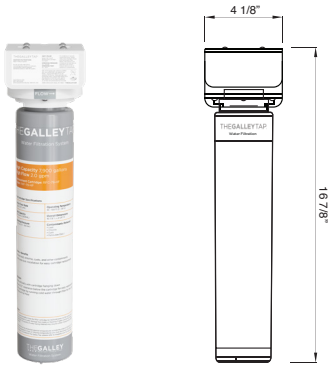


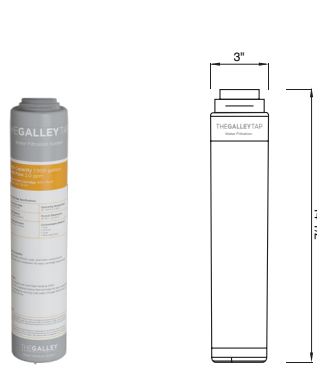
Water Filtration System

IWF-79-HF

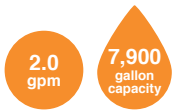
RFC-79-HF



Water Filtration System



Replacement Cartridge



Features & Benefits

- High flow, high capacity, commercial quality water filtration system manufactured with a proprietary fibercarbon block
- Increases clarity of your drinking water
- Improves taste and reduces odors
- Certified for reduction of lead, chlorine, cysts, particulate class I and other contaminants
- Hybrid material with powder activated and fiber carbons
- Limited polymer binder used creating more active pores for higher absorption capacity
- Filtration removes particles from 0.5 micron in size
- Helps to protect Taps
- Retains vital minerals

Specifications

- Service flow rate 2.0 gpm
- Rated capacity 7,900 gallons
- Operating pressure 10 - 125 psi
- Operating temperature 35 - 100°F
- Overall dimensions 16 7/8" L x 4 1/8" D
- Quick twist-lock cartridge replacement
- Internal parts never exposed to human handling
- Filtration protects capital equipment from early breakdown
- Installs vertically (allow 2 1/2" clearance)
- Install in cold water supply only
- Use with Ideal Tap, BarTap, and Hot & Cold Tap

Included Contents

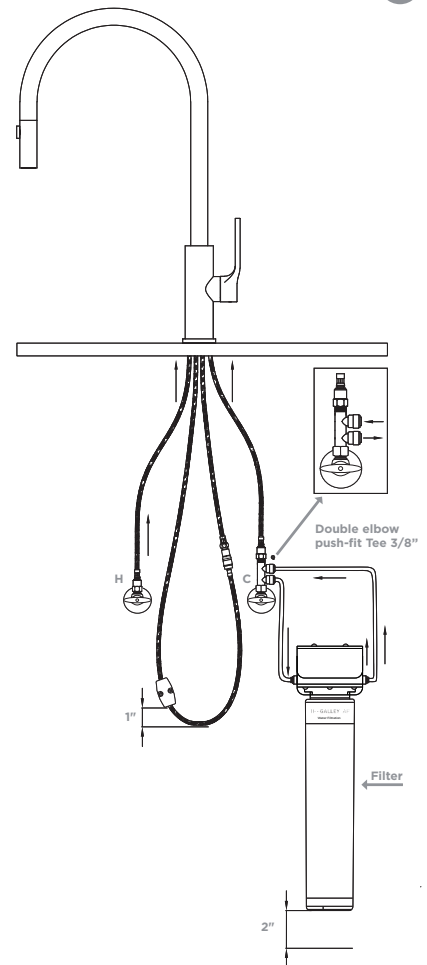
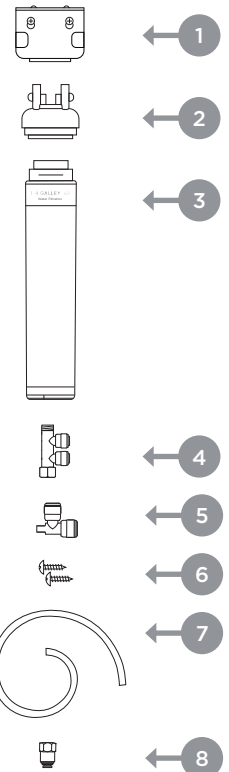
- 1 - Mounting Bracket
- 2 - System Head
- 3 - RFC-79-HF Filter
- 4 - 3/8" Double Elbow Tee
- 5 - John Guest Stem Push-fit Tee
- 6 - Mounting Screws
- 7 - 10' (120") x 3/8" Plastic Tubing
- 8 - Connector Push-fit Fitting 3/8" x 3/8"

Construction

Lasts up to 12 months dependent upon water quality and amount of water filtered

Codes/Standards

IWF-79-HF tested and certified by IAPMO R&T and IAPMO R&T Lab against CSA B483.1; against NSF/ANSI 42 for the reduction of chlorine, taste and odor and particulate class I; against NSF/ANSI 53 for the reduction of cyst and lead; against NSF/ANSI 372 for low lead compliance; as verified and substantiated by test data California compliant



Substance	Average % Reduction
NSF/Ansi 42 - Aesthetic Effects	
Chlorine	>94.8%
Particulate, Class 1 particles 0.5 to < 1 m	>99.2%
NSF/Ansi 53 - Health Effects	
Cyst	>99.99%
Lead pH 6.5	>99.7%
Lead pH 8.5	>99.2%