

Specifications

Stainless Steel Pull-down Kitchen Faucet

Model IWT D

Product Features

- Single-lever control ceramic disk cartridge
- Forward rotating COMFORTFEEL™ lever handle
- Solid AISI 316L Machined Stainless Steel Construction
- Indoor and outdoor
- 11" CENTERSTATION™ spout projection
- 11" pot fill height from deck to spout outlet
- Spout rotates 360°
- Hand spray extends up to 27" from spout
- Magnetic docking system holds hand spray in place
- Ergonomic slide switch to select aerated or spray flow
- Automatic return to aerated flow
- Concealed easy-clean spray face
- Quiet, smooth gliding hose
- Counterweight
- Quick installation system
- Dual check valves
- 24" Stainless Steel Flexible Hoses 3/8" Compression
- Minimum Install Hole diameter 1 3/8"
- Maximum counter thickness 2"
- Maximum flow rate 1.8gpm (6.8L/min)
- Total height 21 1/4"
- Optional base ring included



Codes / Standards Applicable

Specific model meets or exceeds the following:

- ASME 112.18.1-2011/CSA B125.1-2012
- NSF 61 & NSF 372
- CALGreen
- AB1953
- ICC/ANSI A117.1
- ADA

Finishes

- | | |
|--------------------------------------|-----------|
| • Matte Stainless Steel | IWT D MSS |
| • Polished Stainless Steel | IWT D PSS |
| • PVD Black Satin Stainless Steel | IWT D BSS |
| • PVD Gun Metal Gray Stainless Steel | IWS D GSS |

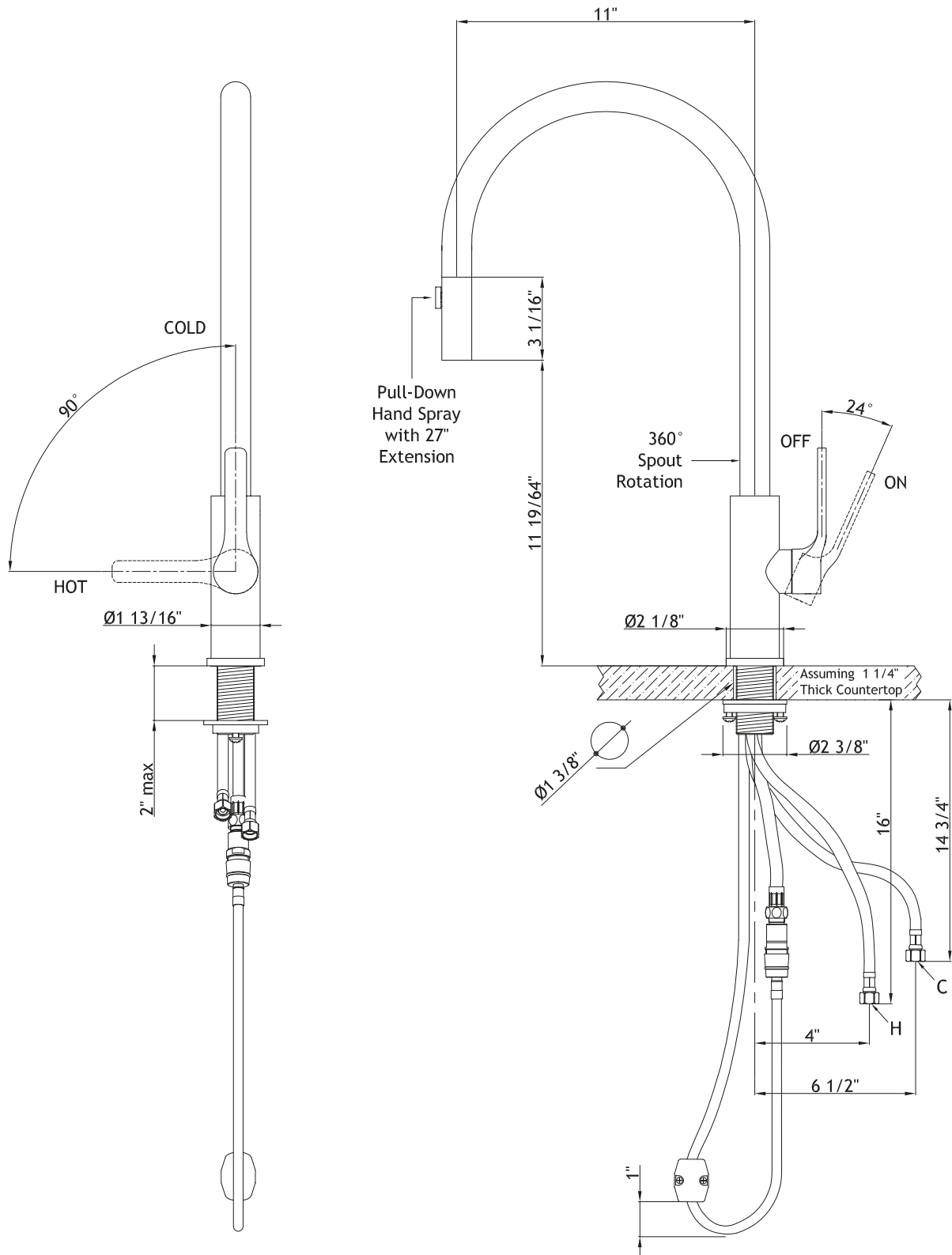
THEGALLEYTAP™

Specifications

Stainless Steel Pull-down Kitchen Faucet

Model IWT D

Dimensions



DIMENSIONS MAY VARY AND ARE SUBJECT TO CHANGE. NO RESPONSIBILITY IS ASSUMED FOR USE OF SUPERCEDED OR VOIDED DATA.

THE GALLEY TAP™