

Specifications

Stainless Steel Deck Switch

Model IDS 1

Product Features

- Solid AISI 316L Machined Stainless Steel Construction
- Air-activated
- Above the deck design
- Easy operation
- Ideal for kitchen island or counter tops
- Convenient alternative to a wall switch
- Isolated from electrical connections
- Maximum counter top thickness 2 11/16" (68.2 mm)
- Minimum install hole diameter 1 3/8" (34.9 mm)
- Two-outlet control box and tubing included
- Easily replaceable air pump
- Total height 1 1/8" (28.5 mm)
- Available in Matte, Polished, PVD Satin Black and PVD Gun Metal Gray finishes
- Indoor use only

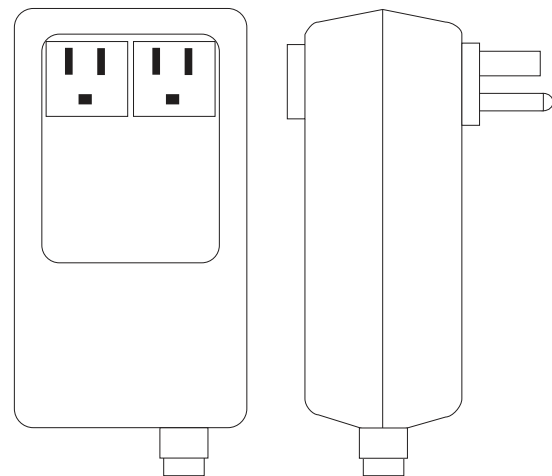
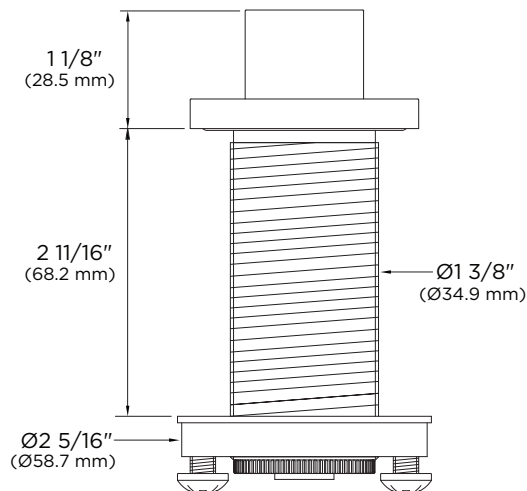


Appliance Control Box

- On/Off Safety Air Switch
- Pressing the Deck Switch will alternately activate or deactivate two pieces of equipment plugged into the box.

Codes / Standards Applicable

- UL
- CSA Enclosure Type 2
- ADA Compliant



Appliance Control Box

4 3/8" H x 3" W x 1 3/4" D
(111.1 mm H x 76.2 mm W x 44.4 mm D)
120v 15Amp 1Hp

DIMENSIONS MAY VARY AND ARE SUBJECT TO CHANGE. NO RESPONSIBILITY IS ASSUMED FOR USE OF SUPERCEDED OR VOIDED DATA.

THEGALLEYTAP™