

# DryDock™ 18

Add to any size model. Over 130 possibilities.

DD 18 S BA



Natural Golden Bamboo

DD 18 S GT



Graphite Wood Composite

DD 18 S WH



Designer White Resin\*

DD 18 S GR



Exclusive Gray Resin\*

## Specifications

Culinary Tools included: Two  
 Outside dimensions: 18" x 19 1/2" x 2 1/16"  
 Counter top cutout: Add 18" to model width  
 Minimum cabinet size: Add 18" to model width  
 Minimum clearance required below counter top: 2"  
 Location: Drain side (S) and/or non-drain side (N)  
 and/or center drain (C)

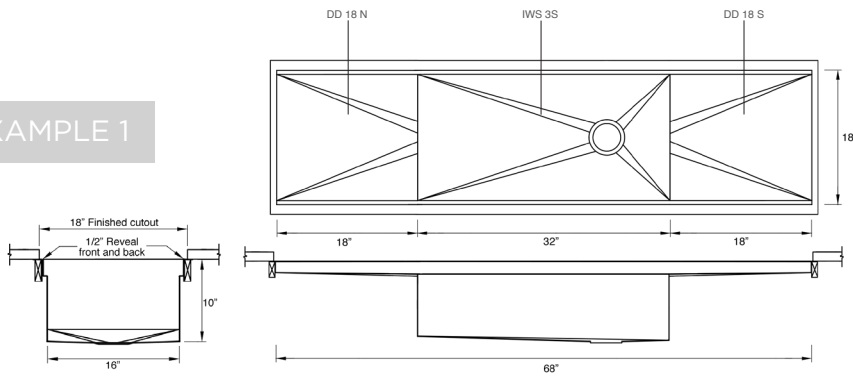
## Culinary Tools included

- (1) Dual Tier Drying Rack 18" x 17"
- (1) 18" Upper Deck in Graphite Wood Composite

## Basin construction

16GA 316L stainless steel indoor/outdoor  
 Angel finish  
 Two tier design  
 Star™ groove pattern  
 Reversible center/side drain  
 Limited Lifetime Warranty  
 Made in the USA  
 ASME A112.19.3/CSA B45.4 certified

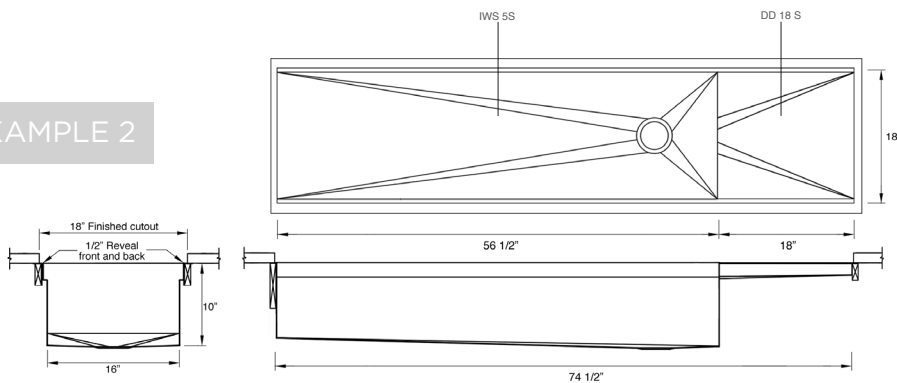
EXAMPLE 1



Suggested maximum inside corner radius of counter top cutout 3/8"

IWS-3-S-DD-18-N-DD-18-S-xx

EXAMPLE 2



Suggested maximum inside corner radius of counter top cutout 3/8"

IWS-5-S-DD-18-S-xx