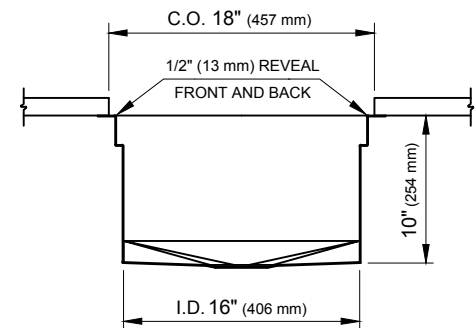
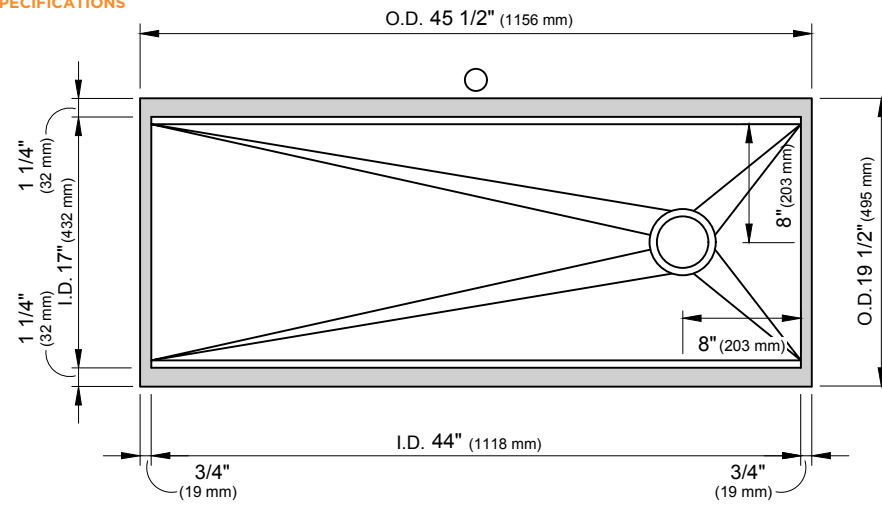
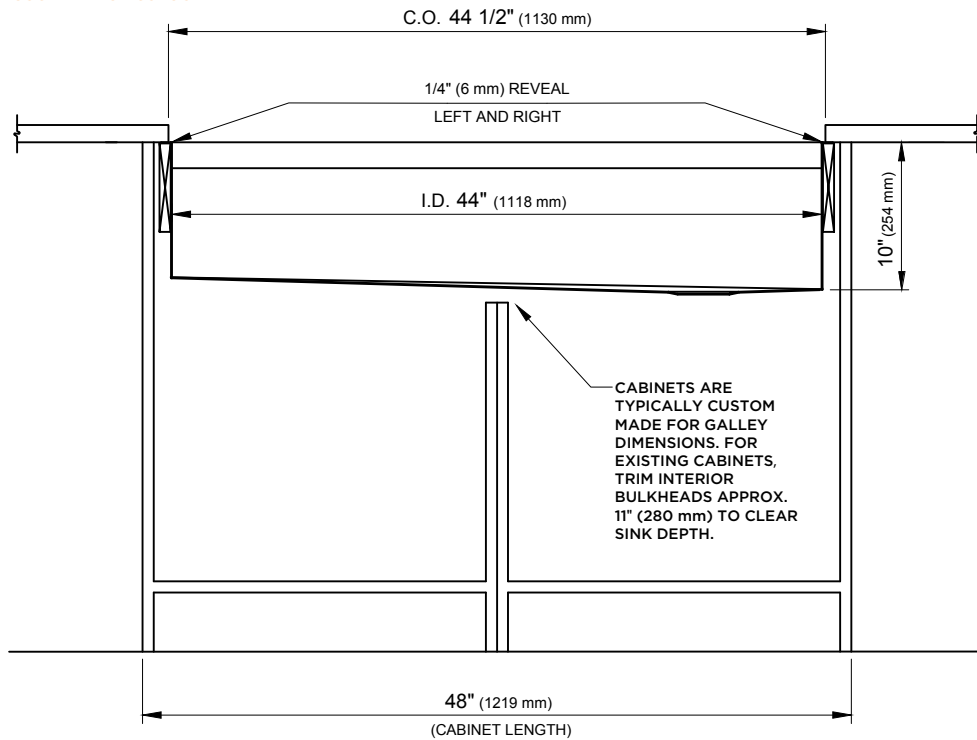


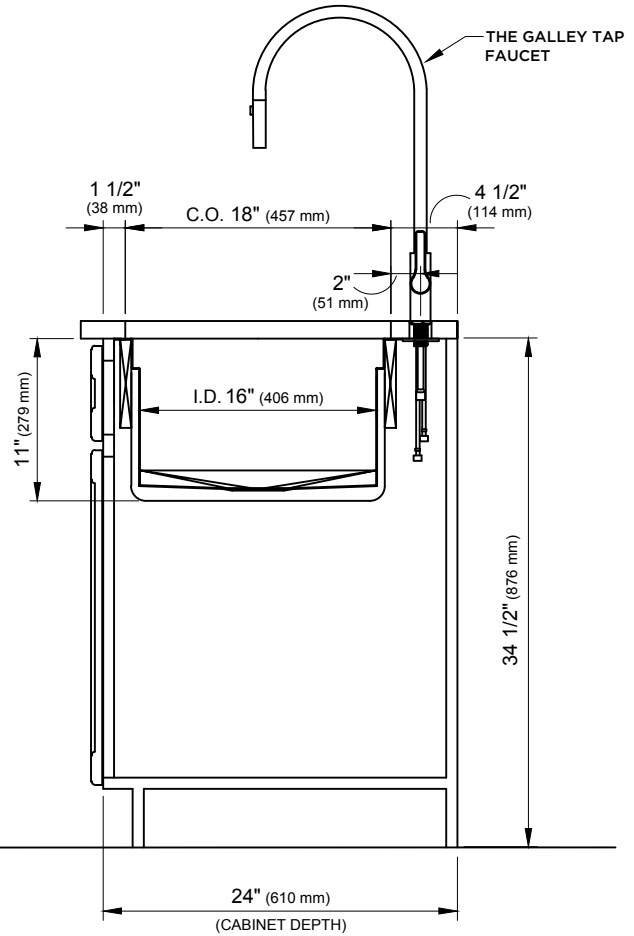
**SPECIFICATIONS**



**COUNTER TOP CUTOUT PLAN**



CABINETS ARE  
 TYPICALLY CUSTOM  
 MADE FOR GALLEY  
 DIMENSIONS. FOR  
 EXISTING CABINETS,  
 TRIM INTERIOR  
 BULKHEADS APPROX.  
 11" (280 mm) TO CLEAR  
 SINK DEPTH.



**STAINLESS STEEL COMPLIANCE ASME A112. 19.3-2008/CSA B45.4-08**

WE RESERVE THE RIGHT TO MAKE REVISIONS WITHOUT NOTICE IN THE DESIGN OF PRODUCTS OR IN PACKAGING UNLESS THIS RIGHT HAS SPECIFICALLY BEEN WAIVED AT THE TIME THE ORDER IS ACCEPTED.