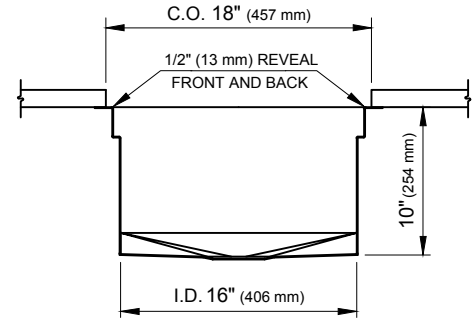
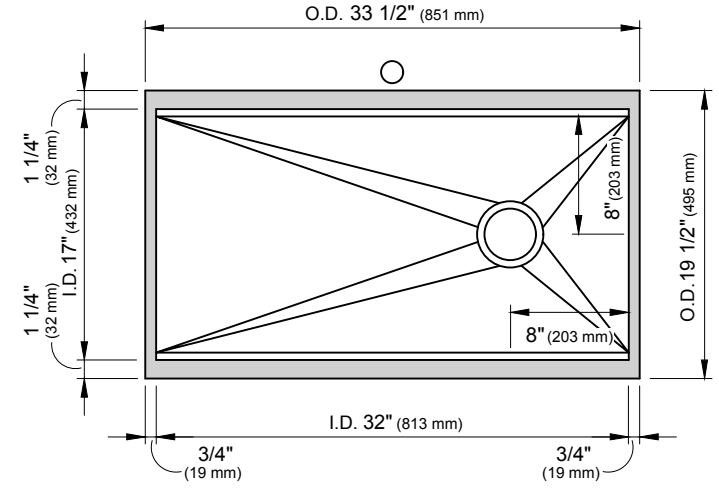
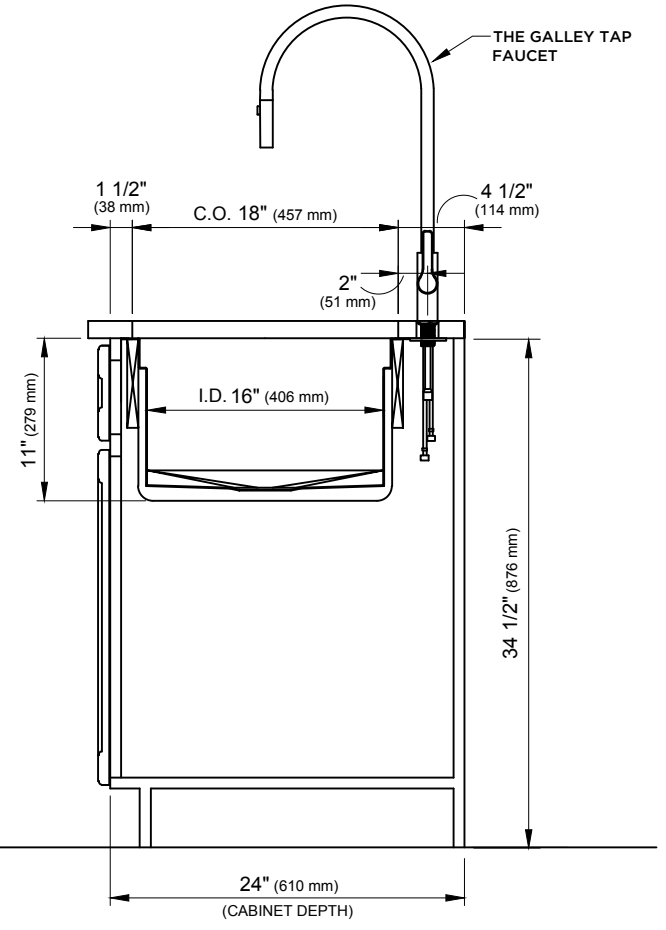
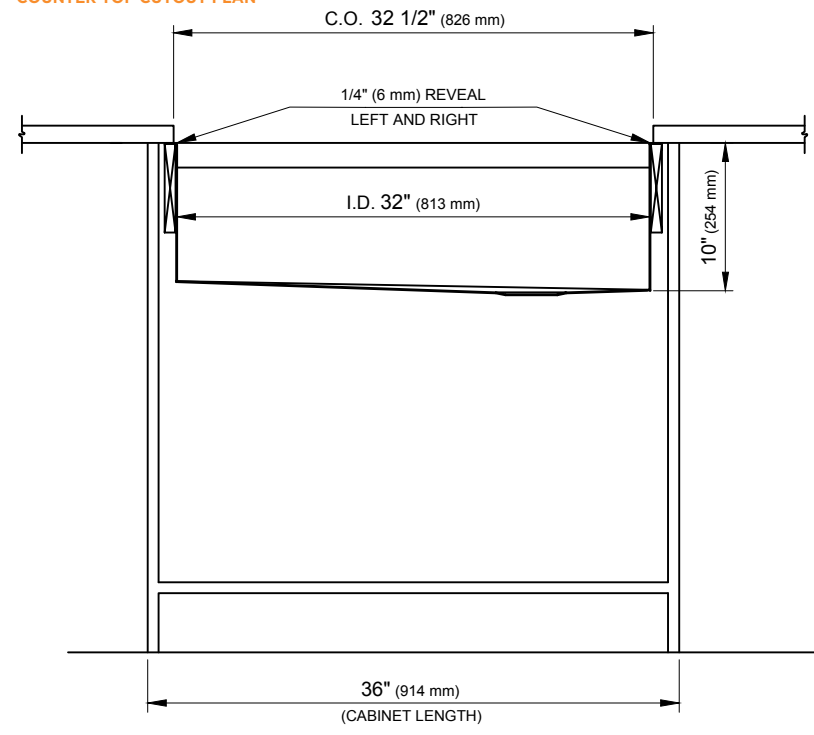


**SPECIFICATIONS**



**COUNTER TOP CUTOUT PLAN**



**STAINLESS STEEL COMPLIANCE ASME A112. 19.3-2008/CSA B45.4-08**

WE RESERVE THE RIGHT TO MAKE REVISIONS WITHOUT NOTICE IN THE DESIGN OF PRODUCTS OR IN PACKAGING UNLESS THIS RIGHT HAS SPECIFICALLY BEEN WAIVED AT THE TIME THE ORDER IS ACCEPTED.