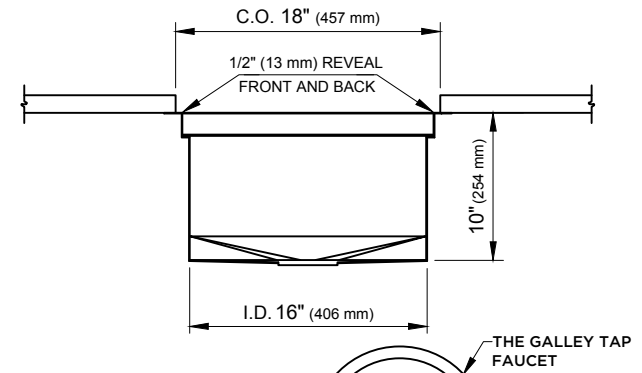
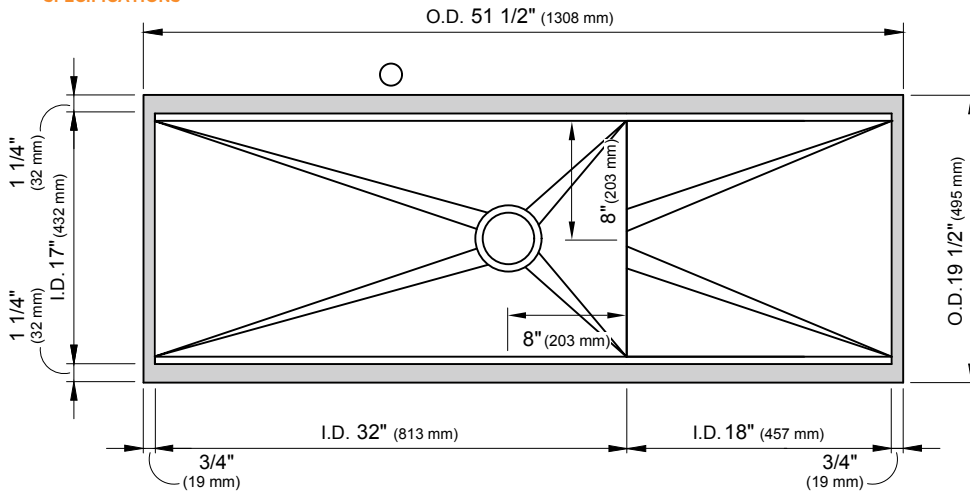
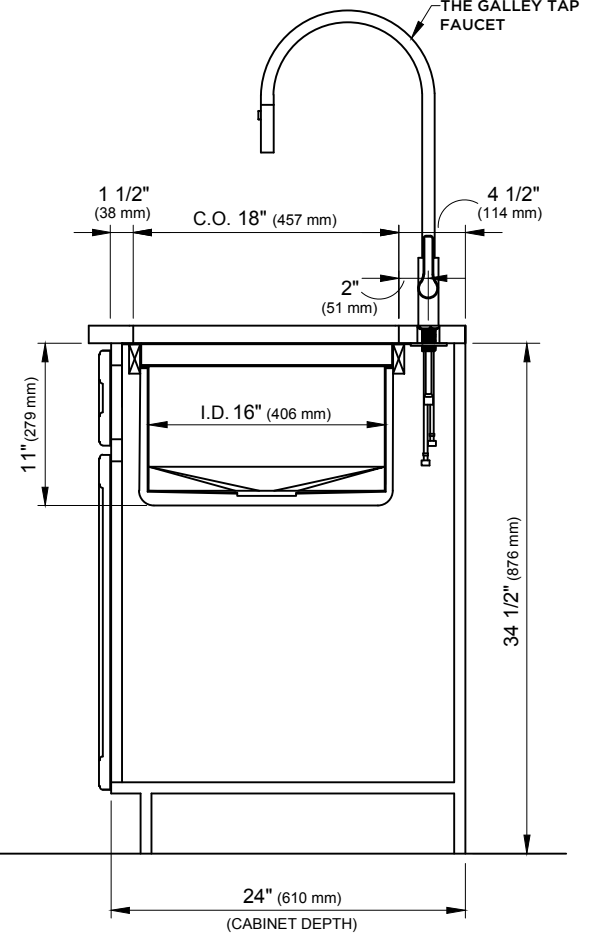
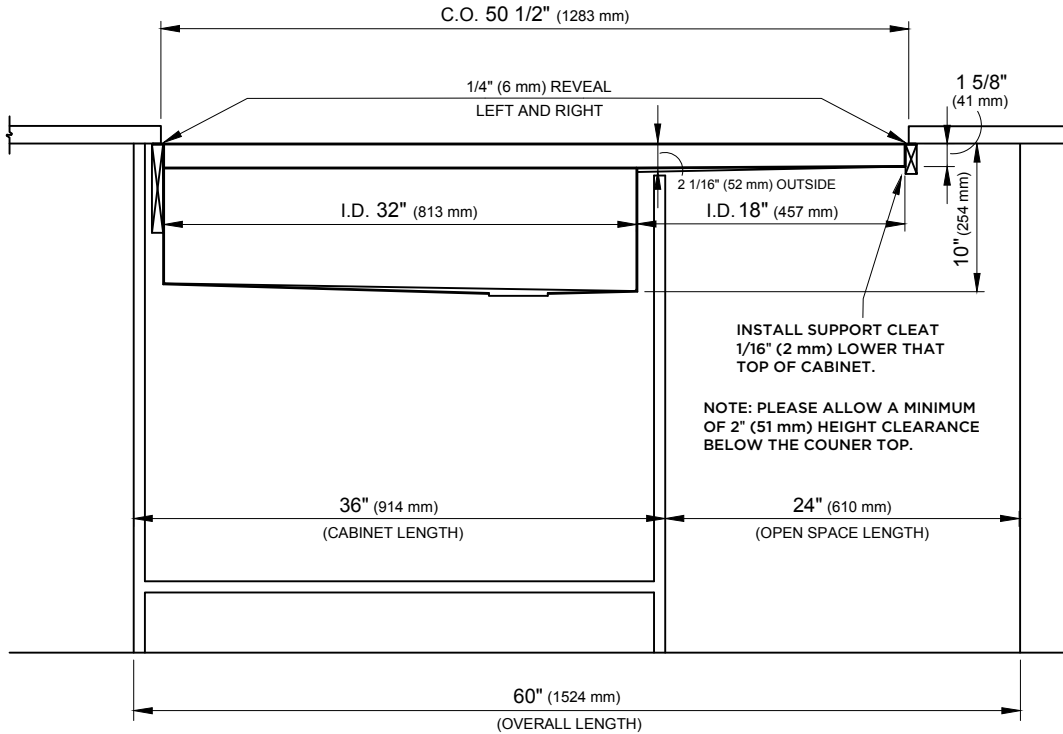


SPECIFICATIONS



COUNTER TOP CUTOUT PLAN



INSTALL SUPPORT CLEAT
 1/16" (2 mm) LOWER THAT
 TOP OF CABINET.
 NOTE: PLEASE ALLOW A MINIMUM
 OF 2" (51 mm) HEIGHT CLEARANCE
 BELOW THE COUNER TOP.

STAINLESS STEEL COMPLIANCE ASME A112. 19.3-2008/CSA B45.4-08

WE RESERVE THE RIGHT TO MAKE REVISIONS WITHOUT NOTICE IN THE DESIGN OF PRODUCTS OR IN PACKAGING UNLESS THIS RIGHT HAS SPECIFICALLY BEEN WAIVED AT THE TIME THE ORDER IS ACCEPTED.